

**OPERATION**

This is a direct-acting, 2-position, 3-way, poppet-type Metric NCS 06-size solenoid valve. When de-energized, the valve checks flow from port 3, while allowing free flow between port 1 and 2. When energized, the valve poppet checks flow from port 1, while allowing free flow between port 2 and 3. This valve comes standard with a push-pin type manual override.

**APPLICATIONS**

This valve is designed for hydraulic circuits requiring very low leakage and can be used for load holding and blocking applications.



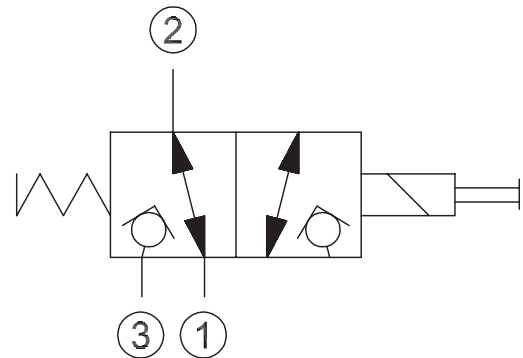
Shown with Standard Coil,  
 Deutsch Connector

**SPECIFICATIONS**

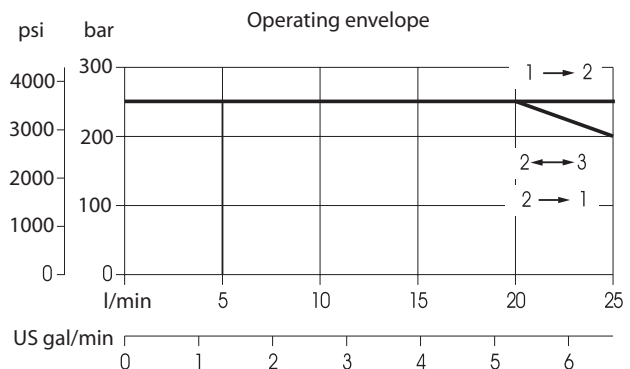
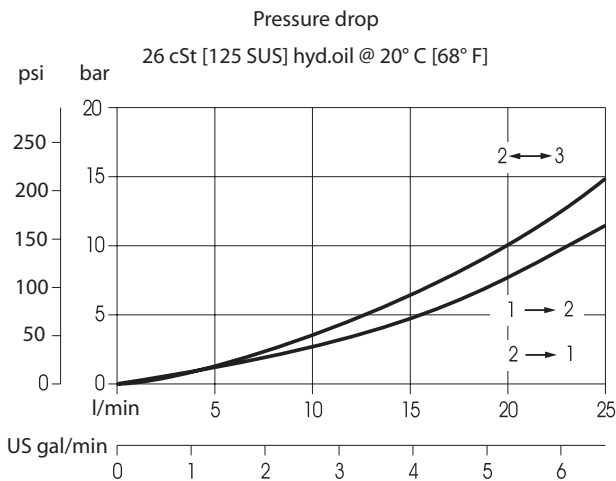
Rated pressure*	230 bar [3300 psi]
Rated flow at 7 bar [100 psi]	20 l/min [5 US gal/min]
Weight	0.44 kg [0.97 lb]
Cavity	NCS06/3
Standard Coil	M16 26 Watt
Robust Coil	R16 20 Watt Robust Nut P/N <b>173804910</b> (no coil O-rings needed)

\* Rated Pressure based on NFPA fatigue test standards (at 1 Million Cycles).

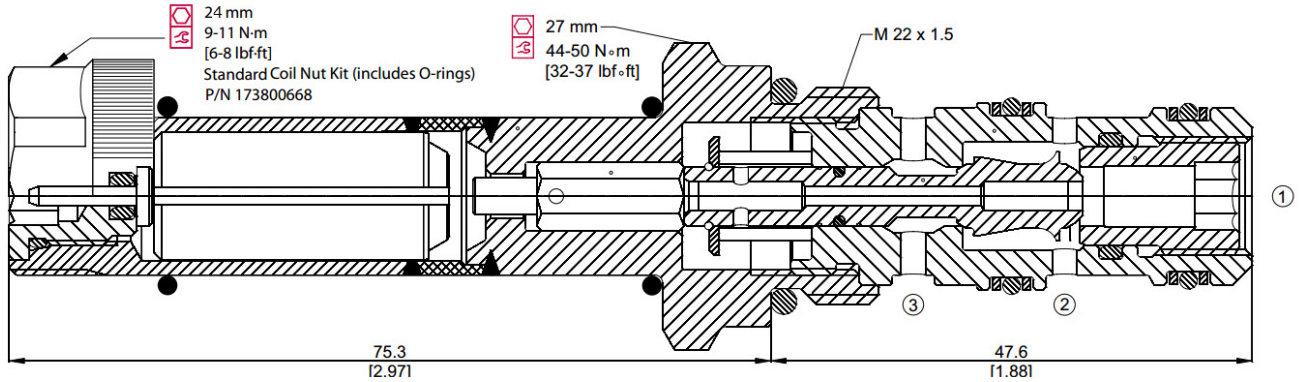
**SCHEMATIC**



**PERFORMANCE CURVES**

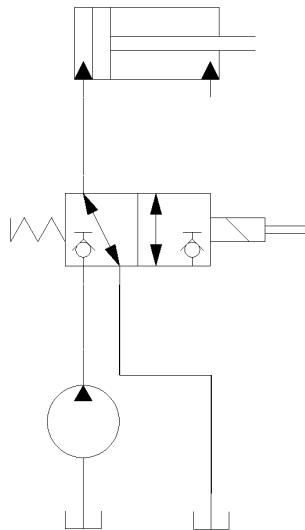


**DIMENSIONS**



**EXAMPLE CIRCUITS**

Single Acting Cylinder



**ORDERING INFORMATION**

**EVH 06/D5 - 12D - DE - PB - 00 - B**

Solenoid Valve, Poppet Type,  
 Metric NCS 06-size Cavity,  
 2 Position, 3 Way

Coil Voltage	Standard Coil Code	Robust Coil Code
No Coil, with nut*	<b>00</b>	<b>R00</b>
10 VDC	<b>10D</b>	<b>R10D</b>
12 VDC	<b>12D</b>	<b>R12D</b>
20 VDC	<b>20D</b>	<b>R20D</b>
24 VDC	<b>24D</b>	<b>R24D</b>
110 VAC**	<b>110A</b>	-
220 VAC**	<b>220A</b>	-

\* Standard coil – plastic nut and O-rings;  
 R-coil – steel nut P/N 173804910  
 (no coil O-rings needed)  
 \*\* DIN only - external rectifier needed

Coil Termination	Standard Coil Code	IP Rating	Robust Coil Code	IP Rating
No Coil	<b>00</b>	-	<b>00</b>	-
Amp Junior	<b>AJ</b>	IP67	-	-
Amp Junior with Diode	<b>AJD</b>	IP67	-	-
AMP SuperSeal 1.5	<b>AS</b>	IP67	<b>AS</b>	IP69K
AMP SuperSeal with Diode	<b>ASD</b>	IP67	<b>ASDB</b>	IP69K
Deutsch	<b>DE</b>	IP67	<b>DE</b>	IP69K
Deutsch with Diode	<b>DED</b>	IP67	<b>DEDB</b>	IP69K
Flying Leads	<b>FL</b>	IP65	<b>FL</b>	IP69K
Flying Leads with Diode	<b>FLD</b>	IP65	<b>FLDB</b>	IP69K
DIN 43650	<b>DN</b>	IP65	-	-
Metri-Pack 150 Type 2	-	-	<b>M3</b>	IP69K
Metri-Pack 150 with Diode	-	-	<b>M3DB</b>	IP69K

Seal Code	Material	Seal Kits
<b>B</b>	Buna-N	230000110
<b>V</b>	Viton	230000070

Code	Body and Ports	Body Nomenclature
<b>00</b>	Cartridge Only	No Body
<b>SE6S</b>	#6 SAE, AL	NCS06/3-SE-6S
<b>SE8S</b>	#8 SAE, AL	NCS06/3-SE-8S
<b>SE3/8</b>	3/8 BSP, AL	NCS06/3-SE-3/8
<b>SE1/2</b>	1/2 BSP, AL	NCS06/3-SE-1/2

Code	Manual Override
<b>Omit</b>	Push Pin (Standard)
<b>PB</b>	Push Button
<b>SPS</b>	Screw Style (Push-Type Valve)
<b>OPS</b>	Push Pin Nut for Protection & Actuation
<b>PAT</b>	Push and Twist