

FAN ROTATION

**Nissens** INDUSTRIKØLERE A/S  
 TLF.45 75 64 20 77  
 FAX.45 75 64 22 05

DATE: \_\_\_\_\_ PROD.NO: \_\_\_\_\_

ID.NO: **HP50-1/400V/4-POL.**

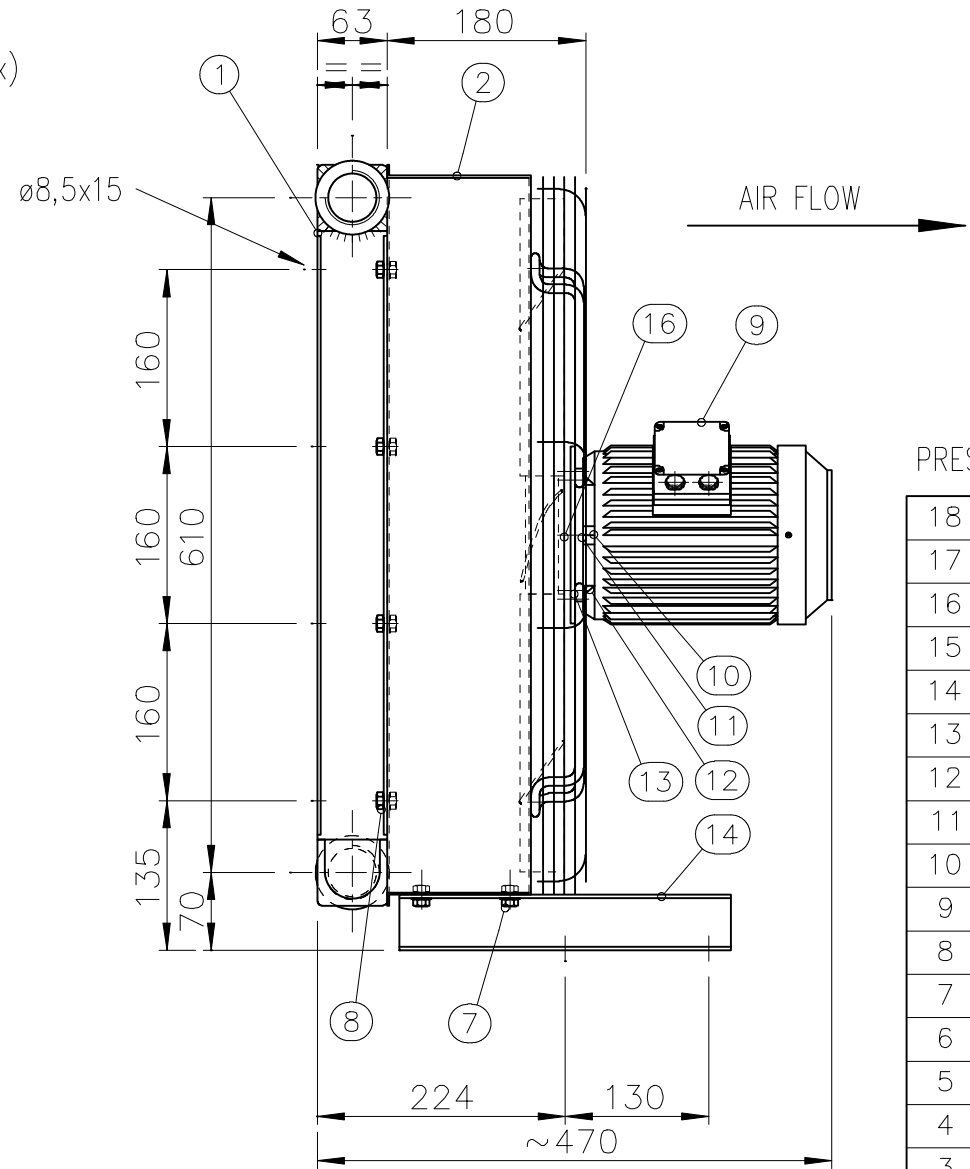
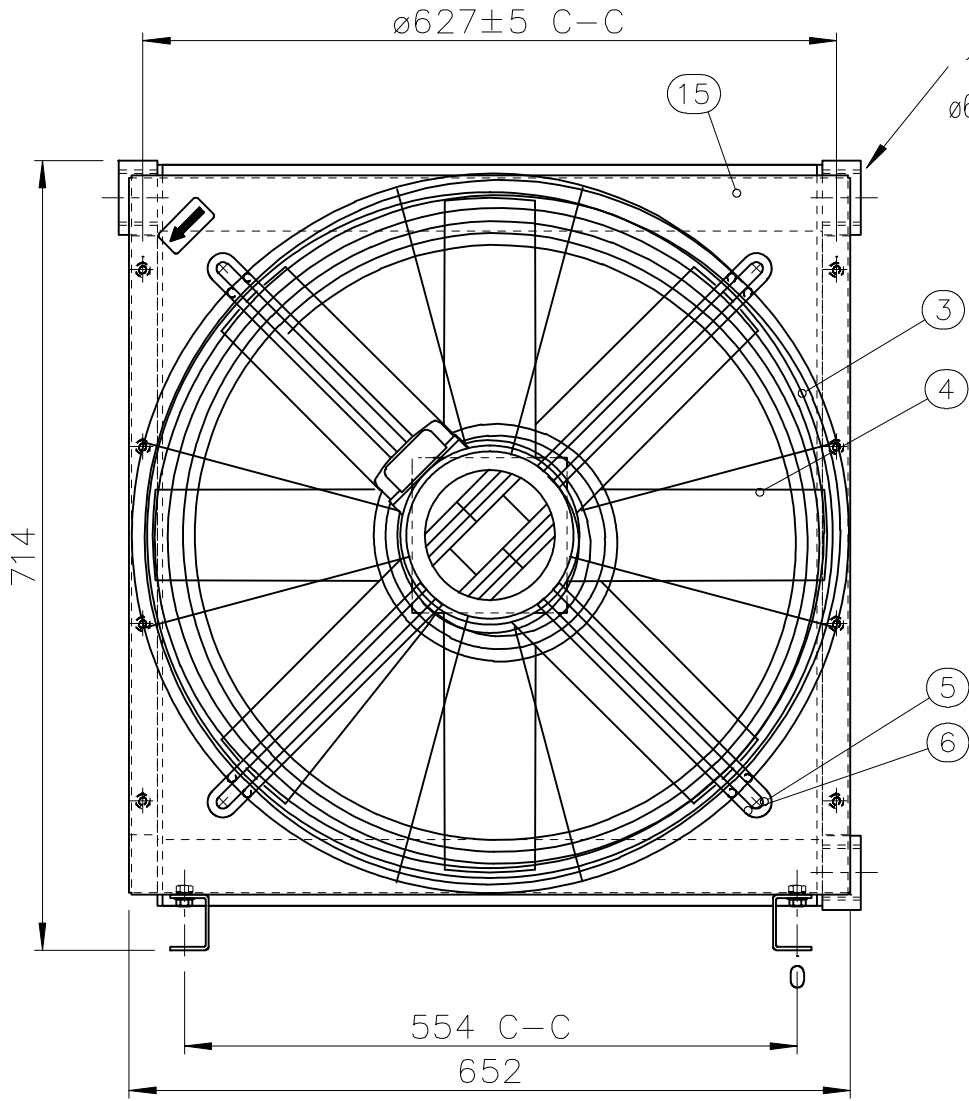
TEST.PRES. OIL: AIR: WATER:  
 30

WORK.PRES.  20

**Nissens**

NISSENS INDUSTRIKØLERE A/S  
 Ormhøjgårdvej 9  
 DK 8700 Horsens - Danmark

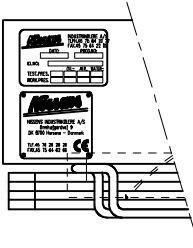
TLF.45 76 26 26 26  
 FAX.45 75 64 62 66



PRESSURETEST ACCORDING TO RANDOM SAMPLING

18	1	DECLARATION OF CONFORMITY	501068
17	1	INSTRUCTION	501076
16	1	WASHER ø25xø8x3	452803
15	2	SEALANT TAPE 10/2x592	450100
14	2	PLATE SECTION, BENDED	500468
13	4	BOLT M6x20	450504
12	4	WASHER ø6x12x1,6	451232
11	1	WASHER ø6x41x4	453240
10	1	BOLT M6x40	450515
9	1	MOTOR 0,55kw	500400
8	8	NUT M8	450448
7	12	BOLT M8x12	450440
6	4	WASHER ø24xø8x2mm	451136
5	12	BOLT M8x20	450442
4	1	FAN 600/8-8/35	501247
3	1	FANGUARD ø631	500947
2	1	SHROUD FOR HP50-60	500480
1	1	OILCOOLER HP50/1	200808
POS	QTY	DESCRIPTION	ITEM NO

Parts List



NISSENS A/S  
 DK - 8700 HORSENS  
 TEL: (+45) 7626 2626  
 WWW.NISSENS.COM



REV. BY SLA	DATE 05.10.2009	REVISION NEW LAYOUT	DIM. WITHOUT TOL. ACC. TO ISO 2768-v	
APPROVED BY	DATE	MATERIAL	WEIGHT IN KILO	
DRAWN BY HCD	DATE 18.02.1999	SURFACE TREATMENT COLOR BLACK, ALU. GREY.	SCALE 1:7	FORMAT A3
ITEM NO. 260012	DESIGNATION OILCOOLER HP50-1/400V/4-POL		DWG. NO. 971702-B3	REV. NO.