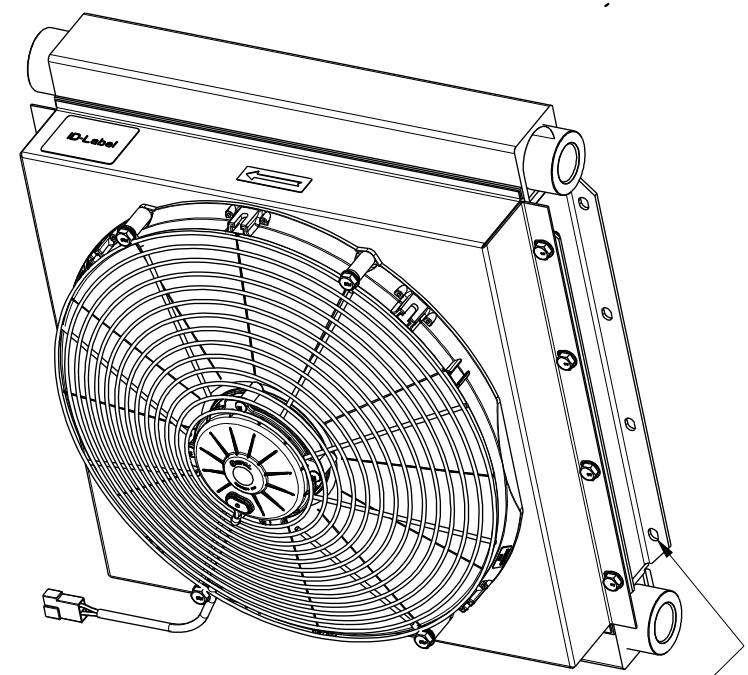


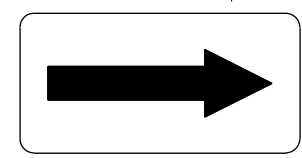
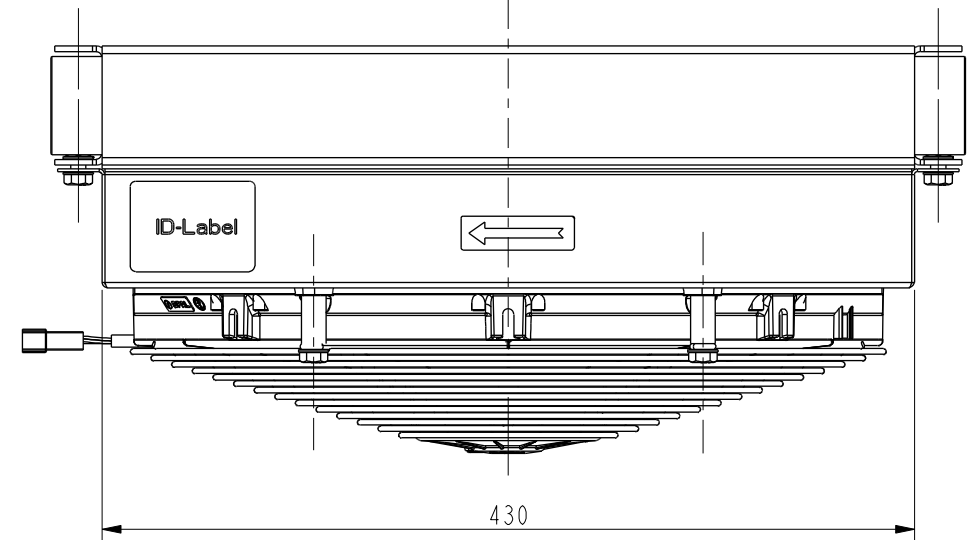
Direction of Air-flow

MOTOR 24V
 FAN Ø 385 mm



SCALE 1:6

8.5x12 (x8)



HAINZL
 INDUSTRIESYSTEME

PROD. NO: DATE:

ID. NO: 1559300

| | | | | |
|------------------|---------|---------|--------|----------|
| TEST PRES: (bar) | FUEL: - | OIL: 30 | AIR: - | WATER: - |
| MAX PRES: (bar) | - | 20 | - | - |
| MAX TEMP: (°C) | - | - | - | - |

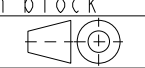
Made by Nissens

Product in accordance with the following directives:
 PED 97/23/Ec Article 3, part 3

| | |
|------------------------------|-----------------|
| Surface treatment | Mass |
| - Alu Grey, Steel Black | 18 [kg] |
| Pressure testing | Tolerance class |
| According to random sampling | ISO 2768-v |

| | | |
|---------------------|------------|-------------------------|
| Revision change | | |
| Revision date | Revised by | Project ID |
| - | - | 1559300 - HP30-1/24V |
| Creation date | Created by | Customer |
| 26.11.09 | JEL | HAINZL INDUSTRIESYSTEME |
| Description | | Special Characteristics |
| Cooler system block | | Ⓢ |
| Format | | Status |
| A3 | | In Work |
| Scale | | Part no. |
| 1:4 | | 202383 |
| | | Drw no. |
| | | 035192-00 |

NISSENS A/S
 DK - 8700 HORSBENS
 TEL: (+45) 7626 2626
 WWW.NISSENS.COM



Scale 1:4

Special Characteristics
 Ⓢ
 Status
 In Work
 Part no.
 202383
 Drw no.
 035192-00