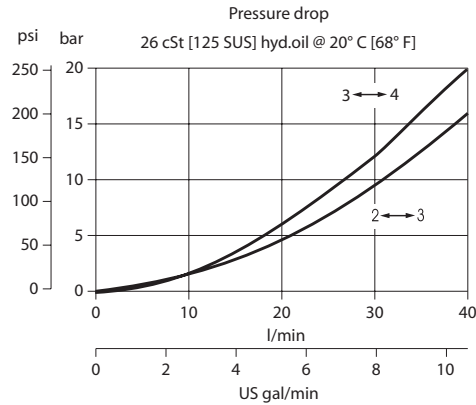


OPERATION

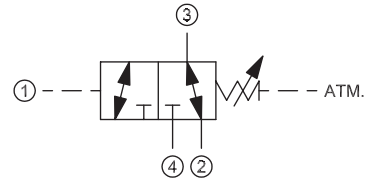
This is a direct-acting, spool-type sequence valve with external pilot and atmospheric vent.

SPECIFICATIONS

Theoretical performance



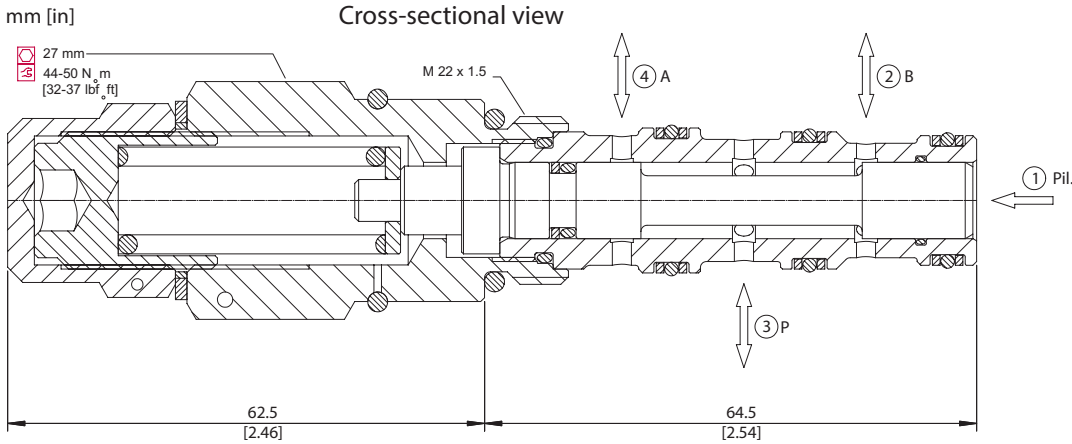
Schematic



Specifications

Rated pressure	315 bar [4500 psi]
Rated flow at 7 bar [100 psi]	22 l/min [6 US gal/min]
Weight	0.28 kg [0.62 lb]
Cavity	NCS06/4

DIMENSIONS



ORDERING INFORMATION

VDP 06 / 42 01 - M - 1 - 00 - V

Adjustment

- E = Internal screw
- EN = External screw
- M = Handwheel

Setting range

- 1 = 15 - 40 bar [220-580 psi]
- 2 = 30 - 120 bar [430-1740 psi]
- 3 = 105 - 190 bar [1520-2750 psi]

To order this valve with a specific factory setting, contact your Comatrol representative

Seals

- V = Viton
- Omit = Buna-N

Seal kit

- 230000350
- 230000080

Housing and ports

- 00 = No Housing
- L3/8 = AL, 3/8 BSP
- L1/2 = AL, 1/2 BSP
- L6S = AL, #6 SAE
- L8S = AL, #8 SAE
- Other housings available

Housing P/N

- No Housing
- NCS06/4-L-3/8
- NCS06/4-L-1/2
- NCS06/4-L-6S
- NCS06/4-L-8S