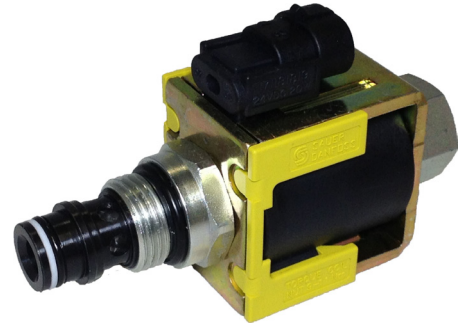


**OPERATION**

This is a normally open, pilot-operated, poppet-type 08-size solenoid valve. When de-energized, the SVP08-NO severely restricts flow from port 1 to port 2, while allowing free flow from port 2 to 1. When energized, the valve's poppet is shifted to block flow from port 2 to port 1, and allows reverse flow between port 1 to port 2 at a high pressure drop. This valve comes standard with a push pin type manual override.

**APPLICATIONS**

This valve is designed for use for uni-directional blocking, load holding, clamping or gripping applications in hydraulic circuits where low internal leakage is required. The SVP08-NO can operate at an inlet pressure of 315 bar on port 2 for 600,000 cycles.



Shown with Robust Coil

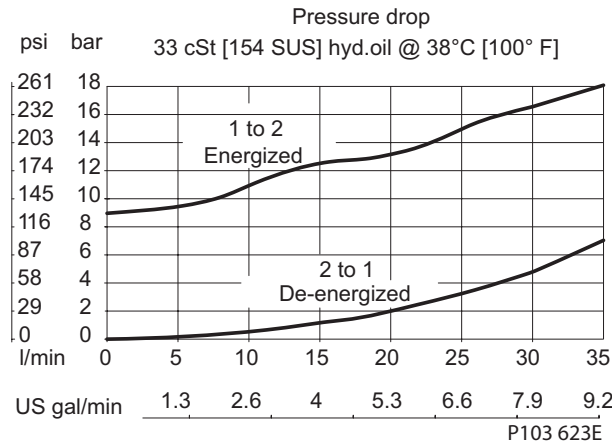
**SPECIFICATIONS**

<b>Rated pressure*</b>	230 bar [3300 psi]**
<b>Rated flow at 7 bar [100 psi]</b>	35 l/min [9 US gal/min]
<b>Leakage</b>	6 drops/min @ Rated pressure
<b>Weight</b>	0.23 kg [0.51 lb]
<b>Cavity</b>	SDC08-2
<b>Standard Coil</b>	M13 20 Watt
<b>Robust Coil</b>	R13 16 Watt Robust Nut P/N <b>173800539</b> (no coil O-rings needed)

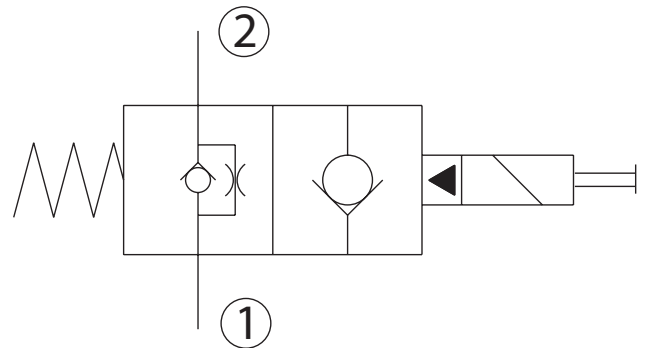
\* Rated Pressure based on NFPA fatigue test standards (at 1 Million Cycles).

\*\* See 315 bar pressure rating note on page 10.

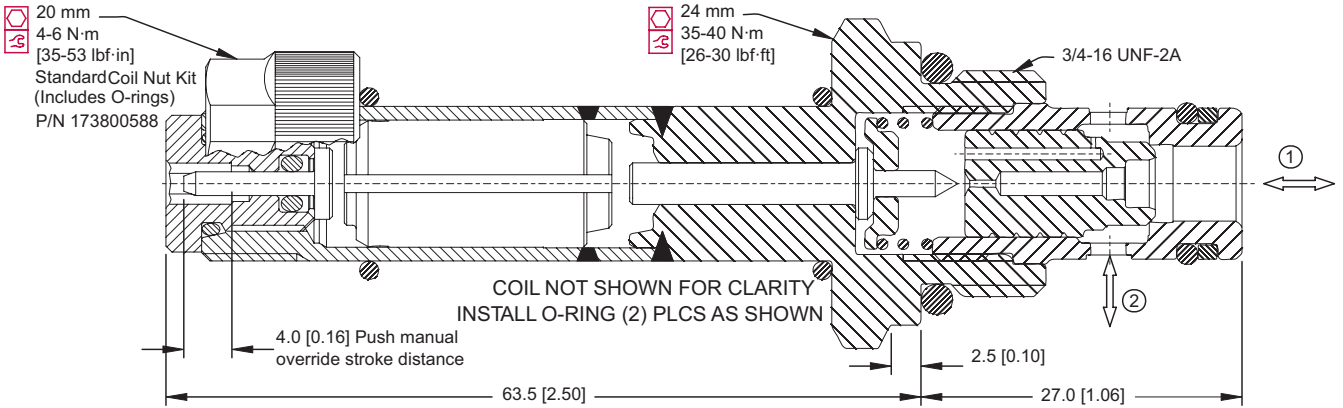
**PERFORMANCE CURVES**



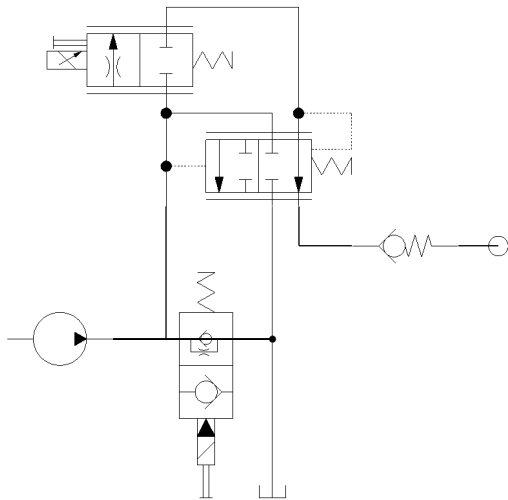
**SCHEMATIC**



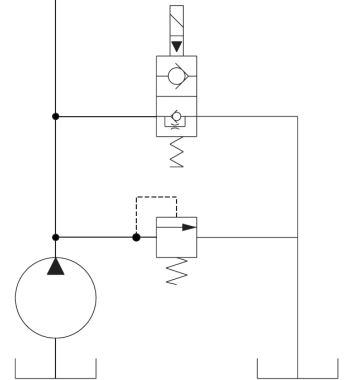
**DIMENSIONS**



**EXAMPLE CIRCUITS**



**Pump unloading**  
 To system



**ORDERING INFORMATION**

**SVP08 -NO- 12D - DE - PB - B - F - 00**

Solenoid Valve, Poppet  
 Type, 08 Size Cavity

NO:  
 Normally Open, Push Type

Filter:  
 No Filter 300 µm  
 Omit F

Code	Body and Ports	Body Nomenclature
00	Cartridge Only	No Body
4S	#4 SAE, AL	CP08-2-4S
6S	#6 SAE, AL	CP08-2-6S
S6S	#6 SAE, Steel	CP08-2-S6S
DG2B	1/4 BSP, AL	SDC08-2-DG2B
DG3B	3/8 BSP, AL	SDC08-2-DG3B
S3B	3/8 BSP, Steel	CP08-2-S3B

Seal Code	Material	Seal Kits
B	Buna-N	354003119
V	Viton	354003619

Code	Manual Override
Omit	Push Pin (Standard)
PB	Push Button
SPS	Screw Style (Push-Type Valve)

Coil Voltage	Standard Coil Code	Robust Coil Code
No Coil, with nut*	00	R00
10 VDC	10D	R10D
12 VDC	12D	R12D
20 VDC	20D	R20D
24 VDC	24D	R24D
110 VAC**	110A	-
220 VAC**	220A	-

Coil Termination	Standard Coil Code	IP Rating	Robust Coil Code	IP Rating
No Coil	00	-	00	-
Amp Junior	AJ	IP67	-	-
Amp Junior with Diode	AJD	IP67	-	-
AMP SuperSeal 1.5	AS	IP67	AS	IP69K
AMP SuperSeal with Diode	ASD	IP67	ASDB	IP69K
Deutsch	DE	IP67	DE	IP69K
Deutsch with Diode	DED	IP67	DEDB	IP69K
Flying Leads	FL	IP65	FL	IP69K
Flying Leads with Diode	FLD	IP65	FLDB	IP69K
DIN 43650	DN	IP65	-	-
Metri-Pack 150 Type 2	-	-	M3	IP69K
Metri-Pack 150 with Diode	-	-	M3DB	IP69K

\* Standard coil – plastic nut and O-rings;  
 R-coil – steel nut P/N 173800539  
 (no coil O-rings needed)

\*\* DIN only – external rectifier needed