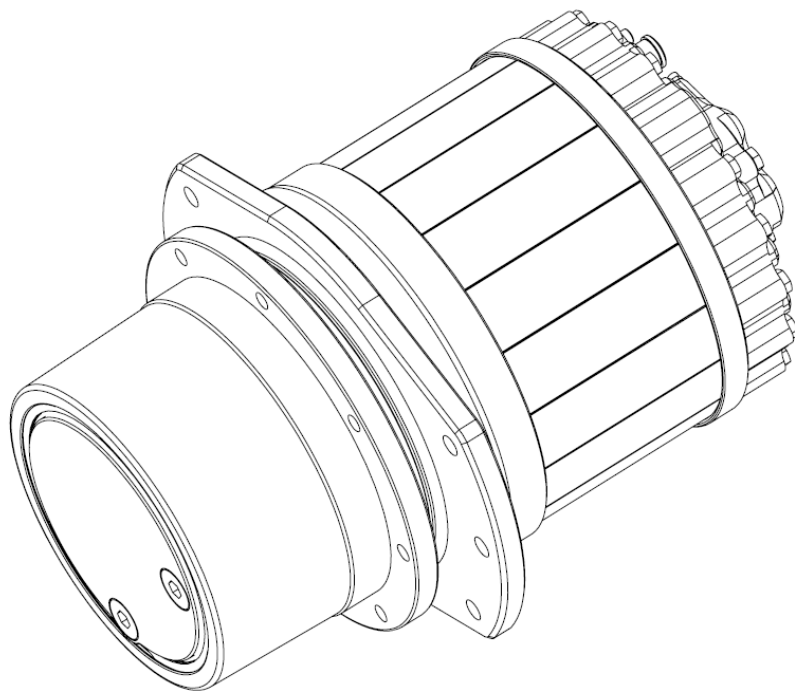


I&W

Electric Final Drive M160i2/D184

Datasheet
v2020.11



Performance Characteristics

General Information

Ambient Temperature	-20°C to 25°C*
Insulation Class EN 60034-1	F(155°C)
Enclosure Type DIN EN 60529	IP67 IP69K Optional

*Derating for higher Temperatures

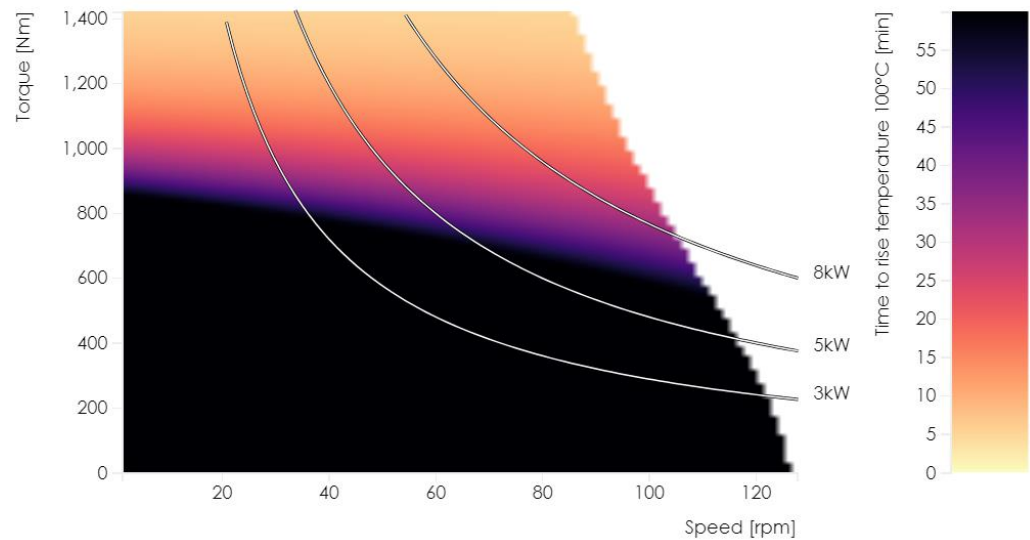
Drive

Engine Type	Permanentmagnet-Synchronous
Number of Poles	12
Reducer Ratio	22.6
Weight	37kg
Peak Torque(flange)	1430 Nm
Peak Current (rms)	177 Arms
S2 60min. Torque @ 20 l/min (flange)	825 Nm
S2 60min. Current @ 10 l/min (rms, flange)	105 Arms
Maximum Speed @ 96VDC	129 l/min
Torque Constant @ motor shaft	0.37 Nm / Arms
Back EMF Constant (Line to Line, rms, rpm @ motor shaft)	31.9 Vrms / 1000 min ⁻¹
Electrical Resistance (Rs) @ 25°C	9.4 mΩ
Electrical Inductance @ 1kHz (Lq/Ld)	186μH / 159μH

Mechanical Brake (Optional)

Type	Currentless Brake
Function Principle	Braked Engine Shaft
Typ. Braking Torque	600 Nm
Typ. Activation Voltage	24V
Typ. Hold Voltage	12V

Performance @ 96VDC,



Feedback

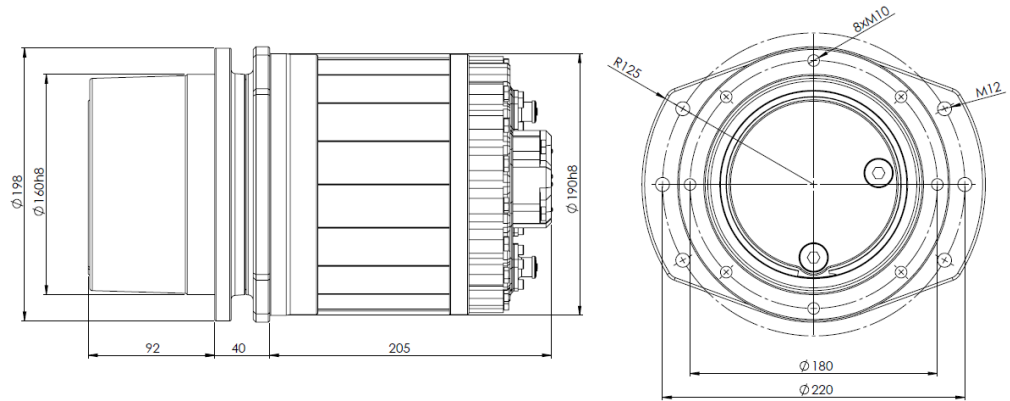
Temperature Sensor

Sensor-Type	PT 1000
-------------	---------

Angle Sensor

Sensor-Type	SIN/COS-Encoder
Power Supply (V_{dd})	5V +/-5%
Power Consumption	20mA
Output Amplitude	1.1 +/-0.2V _{pp}
Output Offset	$V_{dd}/2$ +/- 5mV
Internal serial Impedance	720Ω

Dimensions and Load

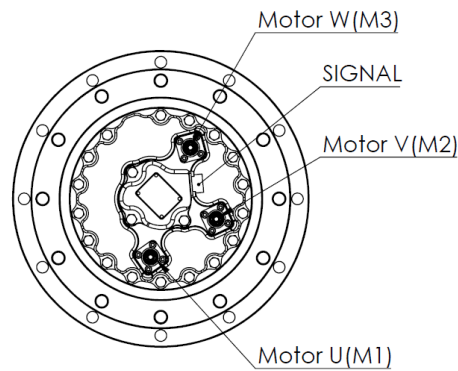


Bearing Capacity

F _{DYN}	43kN
F _{STAT}	57kN

Connections

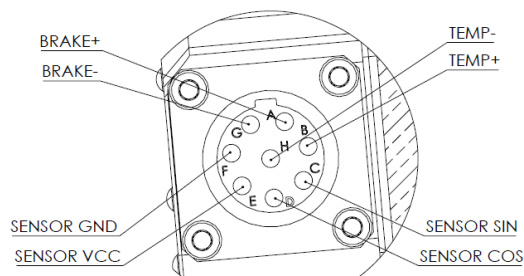
Power connections



Mating Connector	AMPHENOL SURLOCK PLUS
Part number	SLPPA16BSO
Included	No

Cable-size	16mm ²
Included	No

Signal Connections (SIN/COS)



Connector	Amphenol Ecomate RM
Part number	RT06128SNH
Included	No