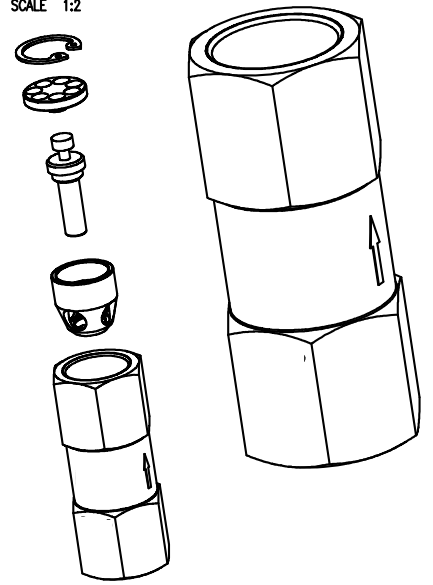


SCALE 1:2



GENERAL NOTES:

1. POS.2 AND POS.3 SECURE WITH LOCTITE 603
2. PART NUMBER ENGRAVE TO THE HOUSING BODY
3. MAX. WORKING PRESSURE: 6 BAR
4. MAX. WORKING TEMPERATURE: 95°C

Pos.	Qty.	Description	Part no.
5	1	Lockring	452659
4	1	By-pass parts, thermo, Support ring,	452658
3	1	By-pass thermostat, 45°C,	452657
2	1	By-pass valve, thermo,	452656
1	1	By-pass housing, thermo,	452655

Revision change		Date		Scale		Material	
-		8425 [g]		1:1		A3	
Revision date	Revised by	Description	Surface	Part no.		Rev. no.	
-	-	By-pass valve, 45°C, 4m3/h-1\"/>					
Creation date	Created by	Material	Qualitäts	Part no.		Rev. no.	
-	MIP	-	-	337984		-	
HAINZL		Surface treatment		Part no.		Rev. no.	
-		Yellow chromated (min. 12 my)		337984		-	
-		Made from		Part no.		Rev. no.	
-		-		337984		-	
-		Tolerance class		Part no.		Rev. no.	
-		ISO 2768-f		337984		-	