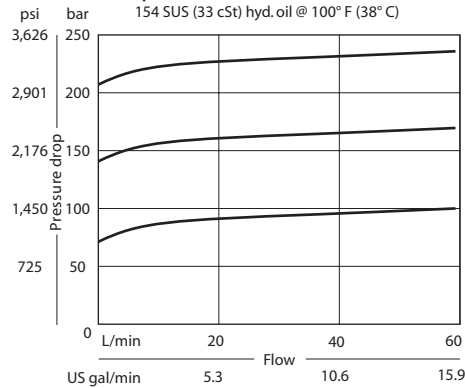


OPERATION

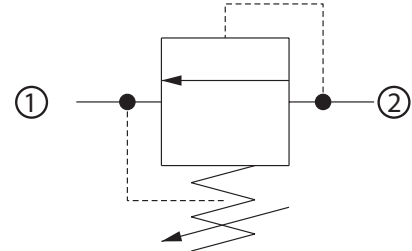
This is a direct acting differential area poppet type relief valve that relieves from 2 to 1.

SPECIFICATIONS

Theoretical performance



Schematic



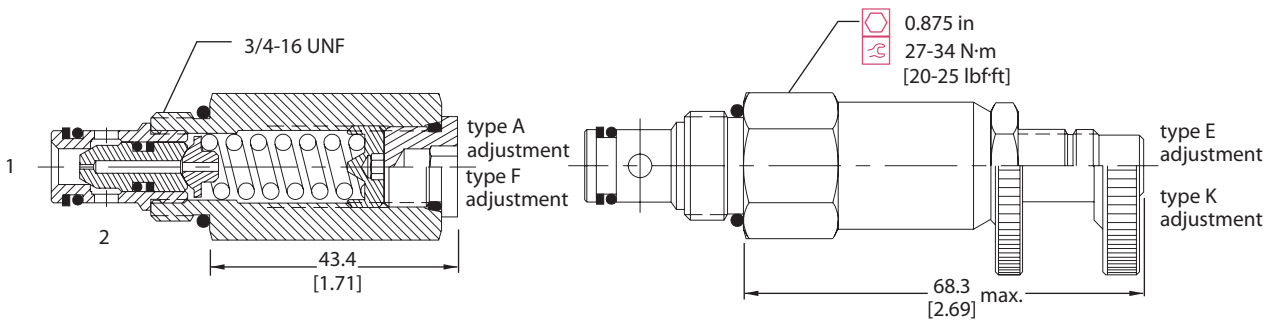
Specifications

Rated pressure	250 bar [3600 psi]
Rated flow	40 l/min [11 US gal/min]
Leakage	10 drops/min @ 80% of pressure setting
Weight	0.15 kg [0.32 lb]
Cavity	SDC08-2

DIMENSIONS

mm [in]

Cross-sectional view



ORDERING INFORMATION

CP208-1-B-6S-A-C-150-XXX

- Seals**
 B = Buna-N
 V = Viton
- Housing and ports**
 0 = No Housing
 DG2B = AI, 1/4 BSP
 DG3B = AI, 3/8 BSP
 4S = AI, #4 SAE
 6S = AI, #6 SAE
 Other housings available
- Adjustment option**
 A = Internal
 E = External
 F = Tamper resistant
 K = Knob
- Seal Kit**
 120221
 120222
- Housing P/N**
 No Housing
 SDC08-2-DG-2B
 SDC08-2-DG-3B
 CP08-2-4S
 CP08-2-6S
- Crack pressure**
 Code x 10 = psi
 Example: 150 = 1500 psi
- Pressure range**

	bar	[psi]
A =	7-69	[100-1000]
Standard	28	[400]
B =	14-138	[200-2000]
Standard	69	[1000]
C =	35-248	[500-3600]
Standard	103	[1500]