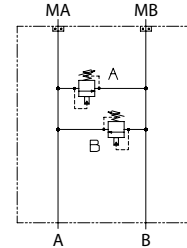


OPERATION

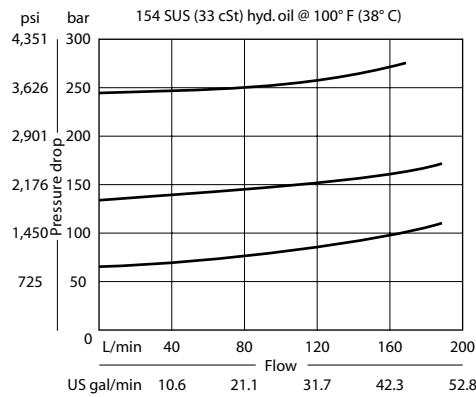
This is a dual cross-port relief HIC that mounts to OMS motors with BSP porting.

Schematic



SPECIFICATIONS

Theoretical performance



Specifications

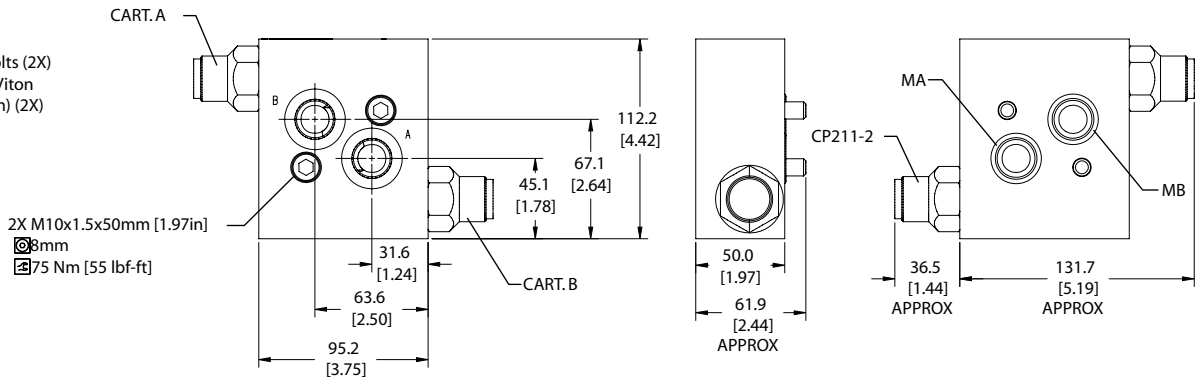
Rated pressure	210 bar [3045 psi]
Rated flow at 7 bar [102 psi]	190 l/min [50 US gal/min]
Leakage	82 cm ³ /min [5 in ³ /min] @ 207 bar [3000 psi]
Weight	1.60 kg [3.53 lb]
Cartridge	CP211-2
Service mount kit	11023866
Motor	OMS

DIMENSIONS

Cross-sectional view

mm [in]

HIC Includes:
- M10x50mm bolts (2X)
- (-119) O'rings, Viton (23.47x2.62 mm) (2X)



ORDERING INFORMATION

MM-OMS-00-DCP211-2-B-10S-E-C-254

