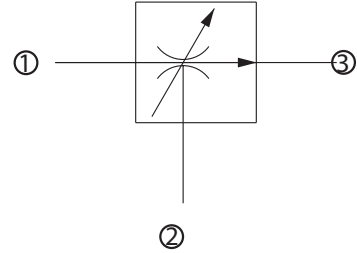


OPERATION

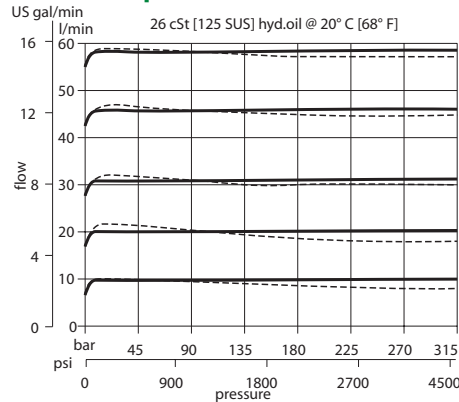
This valve is a limited adjustment, pressure compensated, priority-type flow control valve.

Schematic



SPECIFICATIONS

Theoretical performance



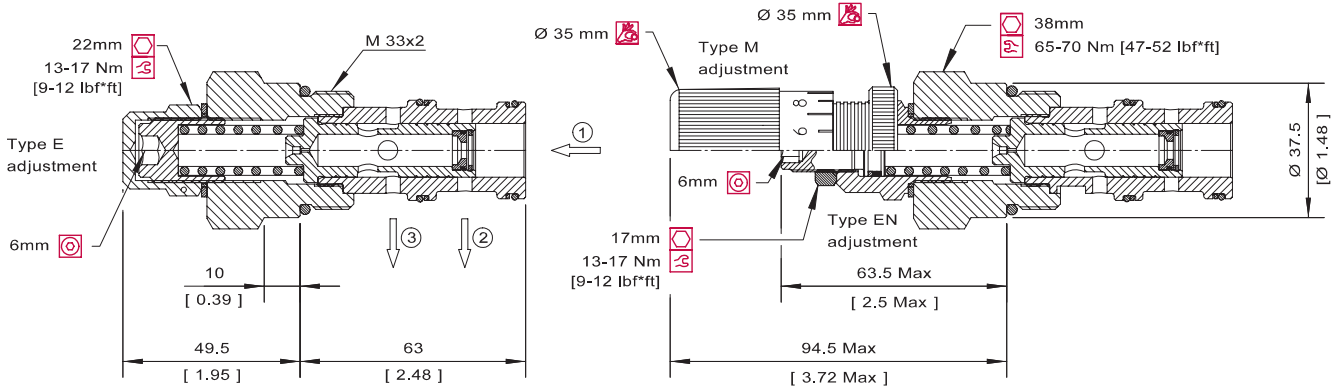
Specifications

Rated pressure	315 bar [4500 psi]
Max regulated flow	73 l/min [19 US gal/min]
Max inlet flow	100 l/min [26 US gal/min]
Weight	0.50 kg [1.10 lb]
Cavity	NCS12/3

DIMENSIONS

Cross-sectional view

mm in



ORDERING INFORMATION

VRC 12 - EN-1.5 - SE1/2 - V

Adjustment	Seals	Seal kit
E = Internal screw EN = External screw M = Handwheel	V = Viton Omit = Buna-N	230000360 230000130
Orifice size	Housing and ports	Housing P/N
mm L/min [US gal/min]	00 = No Housing SE1/2 = AL, 1/2 BSP SE3/4 = AL, 3/4 BSP SE85 = AL, #8 SAE SE12S = AL, #12 SAE Other housings available	No Housing NCS12/3-SE-1/2 NCS12/3-SE-3/4 NCS12/3-SE-8S NCS12/3-SE-12S
1.50 = 2.5-6.5 [0.7-1.7] 2.50 = 6-16 [1.6-4.2] 3.50 = 9-32 [2.4-8.4] 4.00 = 16-40 [4.2-10.6] 5.00 = 25-60 [6.6-15.8] 5.75 = 30-73 [7.9-19.3]		