

**OPERATION**

This is a normally-closed, pilot-operated, poppet-type 10-size solenoid valve with free reverse flow. When de-energized, the valve acts as a check valve, allowing flow from port 1 to port 2, and blocking flow from port 2 to port 1. When energized, the valve's poppet is shifted and allows flow from port 2 to port 1, and from 2 to 1. This valve is available with an optional pull-type manual override.

**APPLICATIONS**

This valve is designed for low leakage applications and can be used in a circuit with a single acting cylinder to control motion, provide load holding or as a general purpose diverter or dump valve. The SVP10-NCR can operate at an inlet pressure of 315 bar on port 2 for 250,000 cycles.

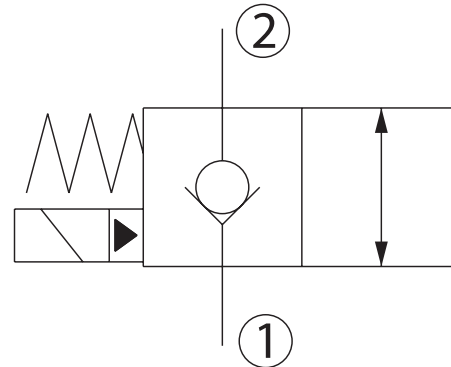


Shown with Standard Coil, Deutsch Connector

**SPECIFICATIONS**

<b>Rated pressure*</b>	230 bar [3300 psi]**
<b>Rated flow at 7 bar [100 psi]</b>	80 l/min [21 US gal/min]
<b>Leakage</b>	6 drops/min @ Rated pressure
<b>Weight</b>	0.43 kg [0.95 lb]
<b>Cavity</b>	SDC10-2
<b>Standard Coil</b>	M16 26 Watt
<b>Robust Coil</b>	R16 20 Watt Robust Nut P/N <b>173804910</b> (no coil O-rings needed)

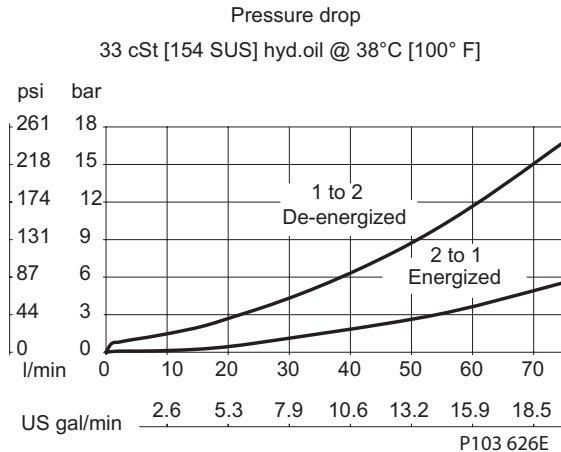
**SCHEMATIC**



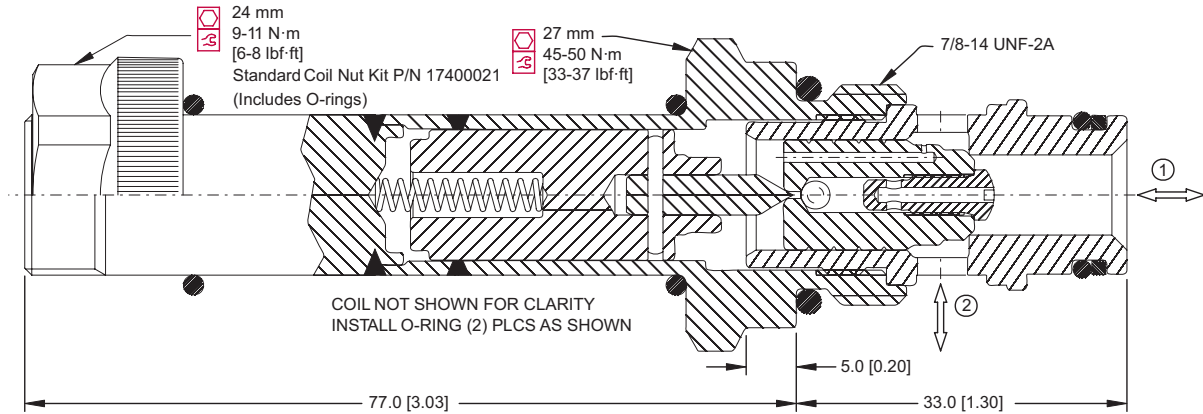
\* Rated Pressure based on NFPA fatigue test standards (at 1 Million Cycles).

\*\* See 315 bar pressure rating note on page 10.

**PERFORMANCE CURVES**

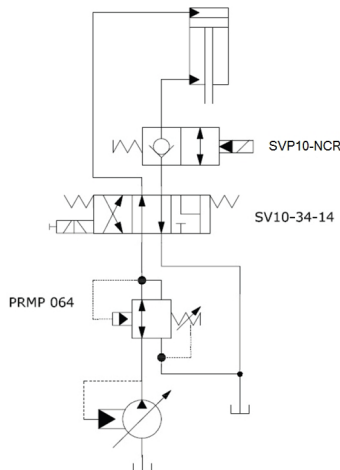


**DIMENSIONS**

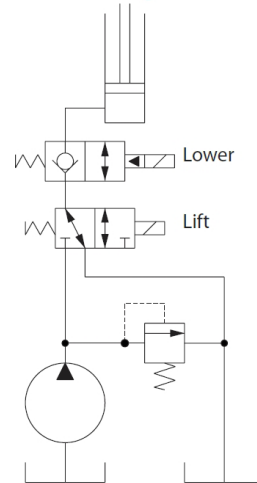


**EXAMPLE CIRCUITS**

Height Control with Float Option



Lift, hold, & lower single acting cylinder



P103 102E

**ORDERING INFORMATION**

**SVP10 - NCR - 12D - DE - M - B - F - 00**

Solenoid Valve,  
Poppet Type, 10  
Size Cavity

NCR:  
Normally Closed, Free  
Reverse Flow, Pull Type

Filter:  
No Filter  
Filter 300 µm

Code	Body and Ports	Body Nomenclature
00	Cartridge Only	No Body
6S	#6 SAE, AL	CP10-2-6S
8S	#8 SAE, AL	CP10-2-8S
S8S	#8 SAE, Steel	CP10-2-S8S
DG3B	3/8 BSP, AL	SDC10-2-DG3B
DG4B	1/2 BSP, AL	SDC10-2-DG4B
S4B	1/2 BSP, Steel	CP10-2-S4B

Seal Code	Material	Seal Kits
B	Buna-N	354000719
V	Viton	354000819

Coil Voltage	Standard Coil Code	Robust Coil Code
No Coil, with nut*	00	R00
10 VDC	10D	R10D
12 VDC	12D	R12D
20 VDC	20D	R20D
24 VDC	24D	R24D
110 VAC**	110A	-
220 VAC**	220A	-

Coil Termination	Standard Coil Code	IP Rating	Robust Coil Code	IP Rating
No Coil	00	-	00	-
Amp Junior	AJ	IP67	-	-
Amp Junior with Diode	AJD	IP67	-	-
AMP SuperSeal 1.5	AS	IP67	AS	IP69K
AMP SuperSeal with Diode	ASD	IP67	ASDB	IP69K
Deutsch	DE	IP67	DE	IP69K
Deutsch with Diode	DED	IP67	DEDB	IP69K
Flying Leads	FL	IP65	FL	IP69K
Flying Leads with Diode	FLD	IP65	FLDB	IP69K
DIN 43650	DN	IP65	-	-
Metri-Pack 150 Type 2	-	-	M3	IP69K
Metri-Pack 150 with Diode	-	-	M3DB	IP69K

Code	Manual Override
Omit	No Override
M	Pull Screw*
OP	Pull Screw w/ Protection*

\* Only available with standard coil