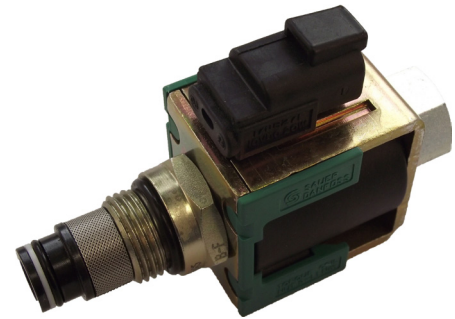


OPERATION

This is a normally-closed, pilot-operated, poppet-style 08-size solenoid valve. When de-energized, the SVP08-NC acts as a check valve allowing flow from port 1 to port 2, and blocking flow from port 2 to port 1. When energized, the valve's poppet is shifted and blocks flow from port 2 to port 1, and severely restricts from port 1 to port 2. This valve is available with an optional pull-type manual override.



Shown with Robust Coil, Deutsch Connector

APPLICATIONS

The SVP08-NC is designed to function as load holding or blocking valve in applications where low internal leakage is required. In load holding applications, the circuit should be designed so that the de-energized state is the position that is holding the load. This valve can operate at an inlet pressure of 315 bar on port 2 for 600,000 cycles.

SPECIFICATIONS

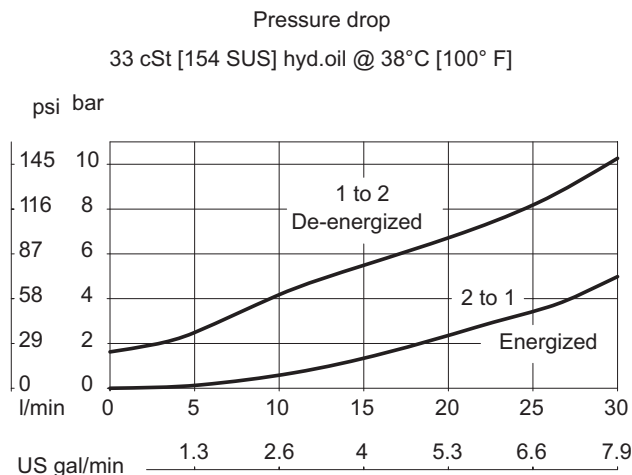
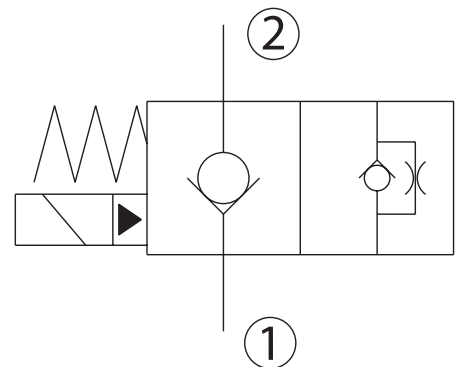
| | |
|---------------------------------------|--|
| Rated pressure* | 230 bar [3300 psi]** |
| Maximum flow at rated pressure | 35 l/min [9 US gal/min] |
| Leakage | 6 drops/min @ Rated pressure |
| Weight | 0.23 kg [0.51 lb] |
| Cavity | SDC08-2 |
| Standard Coil | M13 20 Watt |
| Robust Coil | R13 16 Watt Robust Nut P/N 173800539 (no coil O-rings needed) |

* Rated Pressure based on NFPA fatigue test standards (at 1 Million Cycles).

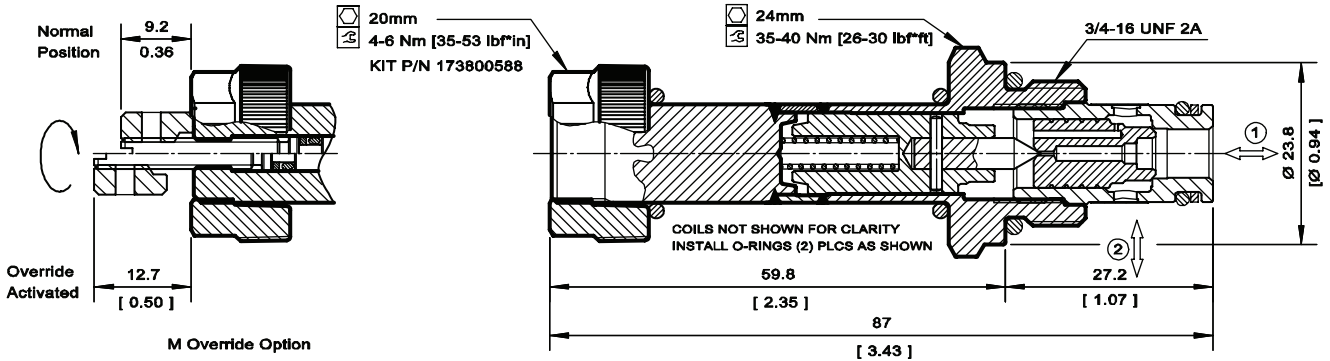
** See 315 bar pressure rating note on page 10.

PERFORMANCE CURVES

SCHEMATIC

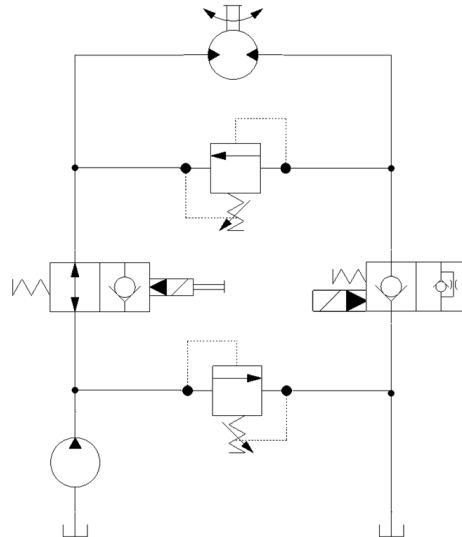


DIMENSIONS



EXAMPLE CIRCUITS

On/Off Motor Circuit



ORDERING INFORMATION

SVP08 - NC - 12D - DE - M - B - F - 00

Solenoid Valve, Poppet Type, 08 Size Cavity

NC: Normally Closed, Pull Type

Filter:
 No Filter
 Filter 300 µm

Omit: F

| Code | Body and Ports | Body Nomenclature |
|------|----------------|-------------------|
| 00 | Cartridge Only | No Body |
| 4S | #4 SAE, AL | CP08-2-4S |
| 6S | #6 SAE, AL | CP08-2-6S |
| S6S | #6 SAE, Steel | CP08-2-S6S |
| DG2B | 1/4 BSP, AL | SDC08-2-DG2B |
| DG3B | 3/8 BSP, AL | SDC08-2-DG3B |
| S3B | 3/8 BSP, Steel | CP08-2-S3B |

| Seal Code | Material | Seal Kits |
|-----------|----------|-----------|
| B | Buna-N | 354000119 |
| V | Viton | 354000219 |

| Coil Voltage | Standard Coil Code | Robust Coil Code |
|--------------------|--------------------|------------------|
| No Coil, with nut* | 00 | R00 |
| 10 VDC | 10D | R10D |
| 12 VDC | 12D | R12D |
| 20 VDC | 20D | R20D |
| 24 VDC | 24D | R24D |
| 110 VAC** | 110A | - |
| 220 VAC** | 220A | - |

| Coil Termination | Standard Coil Code | IP Rating | Robust Coil Code | IP Rating |
|---------------------------|--------------------|-----------|------------------|-----------|
| No Coil | 00 | - | 00 | - |
| Amp Junior | AJ | IP67 | - | - |
| Amp Junior with Diode | AJD | IP67 | - | - |
| AMP SuperSeal 1.5 | AS | IP67 | AS | IP69K |
| AMP SuperSeal with Diode | ASD | IP67 | ASDB | IP69K |
| Deutsch | DE | IP67 | DE | IP69K |
| Deutsch with Diode | DED | IP67 | DEDB | IP69K |
| Flying Leads | FL | IP65 | FL | IP69K |
| Flying Leads with Diode | FLD | IP65 | FLDB | IP69K |
| DIN 43650 | DN | IP65 | - | - |
| Metri-Pack 150 Type 2 | - | - | M3 | IP69K |
| Metri-Pack 150 with Diode | - | - | M3DB | IP69K |

| Code | Manual Override |
|------|---------------------------|
| Omit | No Override |
| M | Pull Screw* |
| OP | Pull Screw w/ Protection* |

* Only available with standard coil

* Standard coil – plastic nut and O-rings; R-coil – steel nut P/N 173800539 (no coil O-rings needed)
 ** DIN only - external rectifier needed