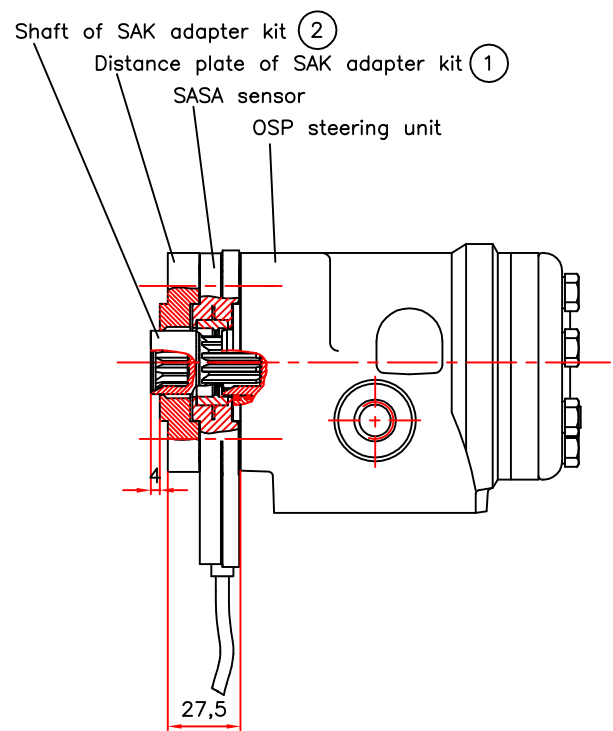


Scale 0 10 20 30 40 50 60 70 80 90 100mm

SAK adapter kit on SASA sensor and on OSP steering unit:



Scale 1:1,5

SAK adapter kit, 150Z6000	
1	Distance plate
2	Shaft

Altered	Reason	Design	Approb.
2006.08.20	Shape of distance plate changes, not effecting build in	BP	BP

Scale 1:1	Projection 		Designation Adapter kit
Date 2005.06.28	Design BP		Approb. BP
<small>Confidential: Property of Sauer-Danfoss (Norborg) A/S, Denmark. Not to be handed over to, copied or used by third party. Two- or three dimensional reproduction of contents to be authorized by Sauer-Danfoss (Norborg) A/S. Sauer-Danfoss (Norborg) A/S can accept no responsibility for possible errors on drawings. Sauer-Danfoss (Norborg) A/S reserves the right to alter products already on order or provided that such alterations can be made without subsequent changes being necessary in specifications already agreed.</small>			No. 150Z6000