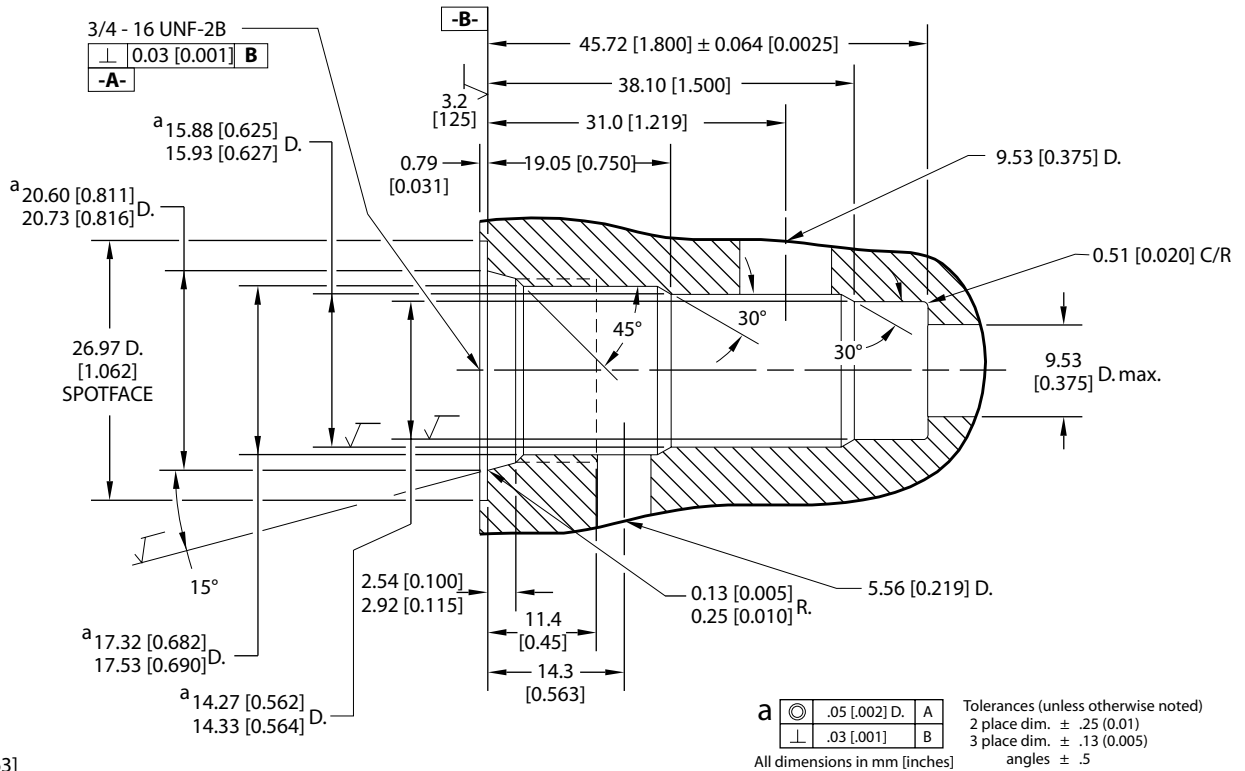


Dimensions

mm [in]



Form tools

	Model code	Material number
Roughing tool	CP-08-3L-FT	11027088
Finishing Tool	CP-08-3L-RT	11027089

Housings

Order Code	Description	Ports	Page
CP08-3L-2B	Aluminum Housing	1/4 BSP	HS - 11
CP08-3L-3B	Aluminum Housing	3/8 BSP	HS - 11
CP08-3L-4S	Aluminum Housing	SAE #4	HS - 11
CP08-3L-6S	Aluminum Housing	SAE #6	HS - 11