

Gear Pump Units

For single-line centralized lubrication systems

MFE5-KW3-2



MFE5-KW6



MFE5-BW7



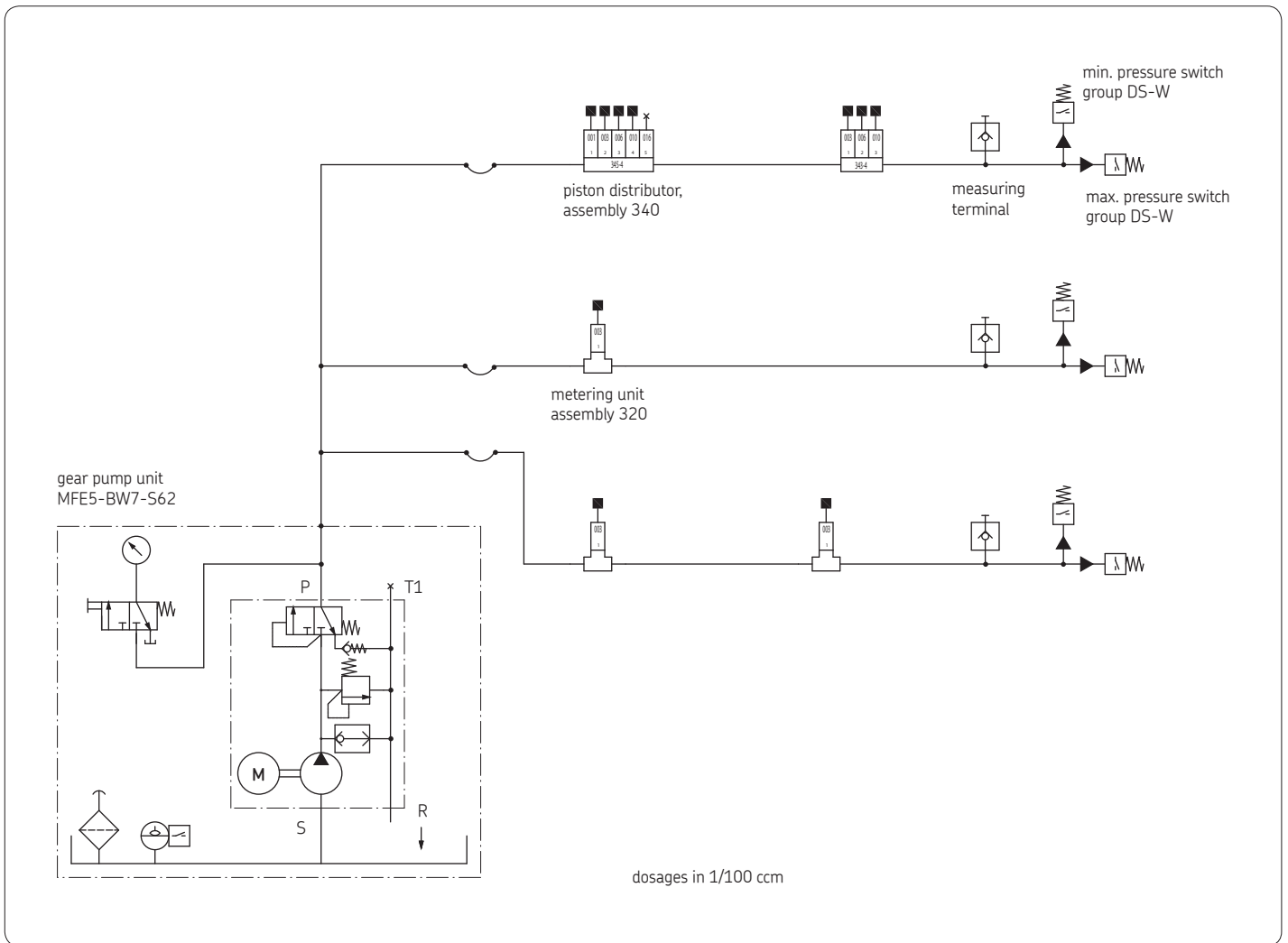
These units comprising the MFE Group are designed to supply the lubricant used in intermittently operated, single-line centralized lubrication systems.

The basic setup includes a gear pump unit with motor, a 3 or 6 liter lubricant reservoir, metal or plastic, or a 15 liter metal reservoir and float switch to monitor the minimum permissible level of lubricant.

In addition to the basic models, it is also possible for the units to be outfitted with add-ons.

Special models for a wide variety of applications are listed in the overview table on page 3.

Gear pump units for single-line centralized lubrication systems



Example of a single-line central lubrication system for an automobile manufacturing plant

The system consists essentially of:

- a gear pump unit
- 6 liter metal reservoir
- piston distributors, assembly 340
- metering units, assembly 320
- pressure switches, group DS-W
for max. pressure build-up and relief pressure

Overview table for gear pump units

See important product usage information on the back cover.

Order No.	Reservoir capacity [liters]	Reservoir material	Design features
MFE5-KW3-2	3	Plastic	Basic version with WS32-2 float switch
MFE5-KW3-2-S4	3	Plastic	Basic version with WS35-2 float switch
MFE5-KW3-2-S9	3	Plastic	For oil as 5 mm ² /s at max. 16 bars
MFE5-KW3-2-S13	3	Plastic	Unit for 50/95 weatherproofing (DIN 50015); WS32-2 float switch
MFE5-KW3-S24	3	Plastic	Motor with HAN6ES Harting connector; WS35-S30 float switch
MFE5-BW3-2	3	Metal	Basic version with WS32-2 float switch
MFE5-BW3-2-S14	3	Metal	French Automotiv version (CNOMO); WS35-2 float switch; Stäubli filler coupling
MFE5-BW3-2-S22	3	Metal	For oil as 5 mm ² /s at max. 16 bars
MFE5-BW3-2-S34	3	Metal	Motor UL/CSA
MFE5-BW3-2-S37	3	Metal	Basic version with WS35-2 float switch
MFE5-BW3-S41	3	Metal	Motor with HAN6ES Harting connector; WS35-S30 float switch
MFE5-KW6	6	Plastic	Basic version with WS32-2 float switch
MFE5-KW6-S1	6	Plastic	Basic version with WS35-2 float switch
MFE5-KW6-S8	6	Plastic	FKM (FPM) version, WS32-S8 float switch
MFE5-KW6-S33	6	Plastic	Motor with HAN6ES Harting connector; WS35-S30 float switch
MFE5-BW7	6	Metal	Basic version with WS32-2 float switch
MFE5-BW7-CF	6	Metal	Basic version with WS35-2 float switch
MFE5-BW7-S8	6	Metal	FKM (FPM) version, WS32-S8 float switch
MFE5-BW7-S22	6	Metal	Motor UL/CSA
MFE5-BW7-S29	6	Metal	French Automotiv version (CNOMO); WS35-2 float switch; Stäubli filler coupling
MFE5-BW7-S54	6	Metal	Unit for 50/95 weatherproofing (DIN 50015); WS32-2 float switch
MFE5-BW7-S120	6	Metal	VW version
MFE5-BW7-S98	6	Metal	VW version with filler coupling
MFE5-BW7-S107	6	Metal	Motor with HAN6ES Harting connector; WS35-S30 float switch
MFE5-BW15	15	Metal	Basic version with WS32-2 float switch; wall-mounted reservoir
MFE5-BW16	15	Metal	Basic version with WS35-2 float switch; wall-mounted reservoir
MFE5-BW15-S7	15	Metal	Basic version with WS35-2 float switch; foot-mounted reservoir
MFE5-BW16-S93	15	Metal	Motor with HAN6ES Harting connector; WS35-S30 float switch

Gear pump unit mounted separate from oil reservoir

Order No. **ME5**

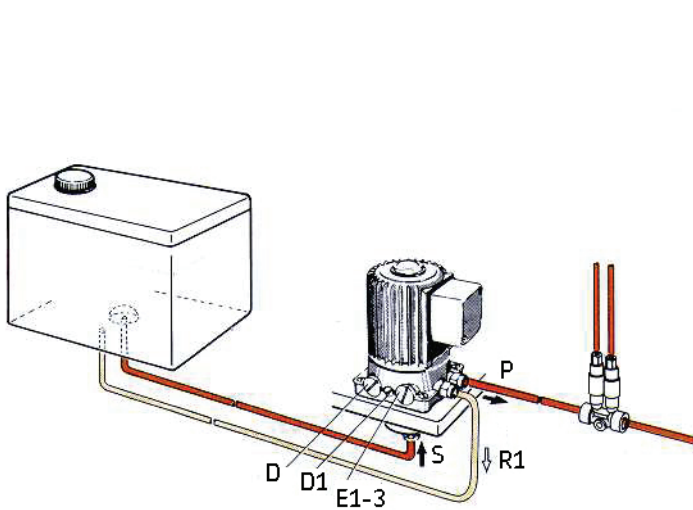


Fig. 1

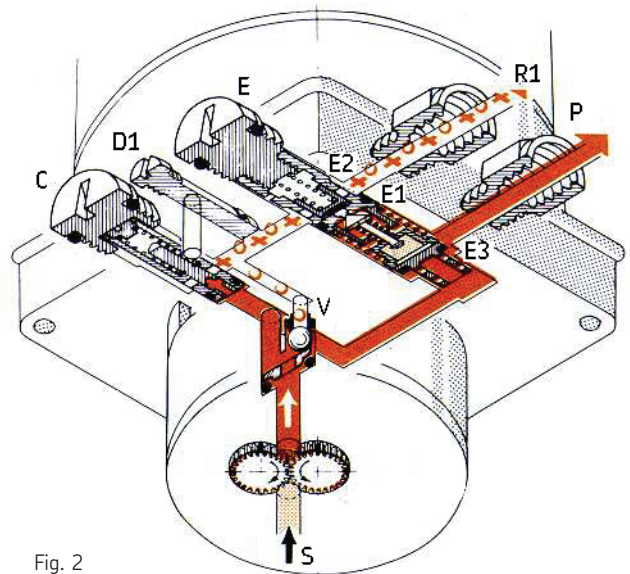


Fig. 2

Gear pump unit for flange-mounting on oil reservoir

Order No. **MFE5**

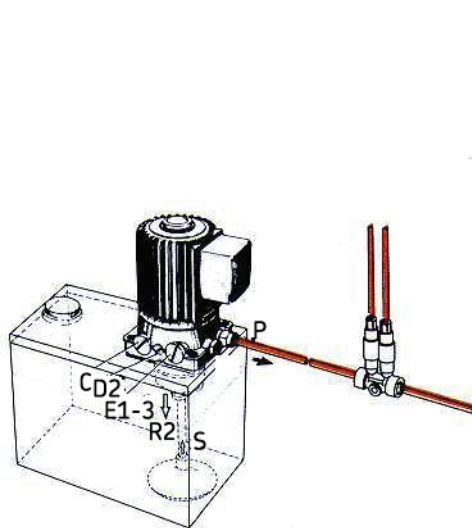


Fig. 3

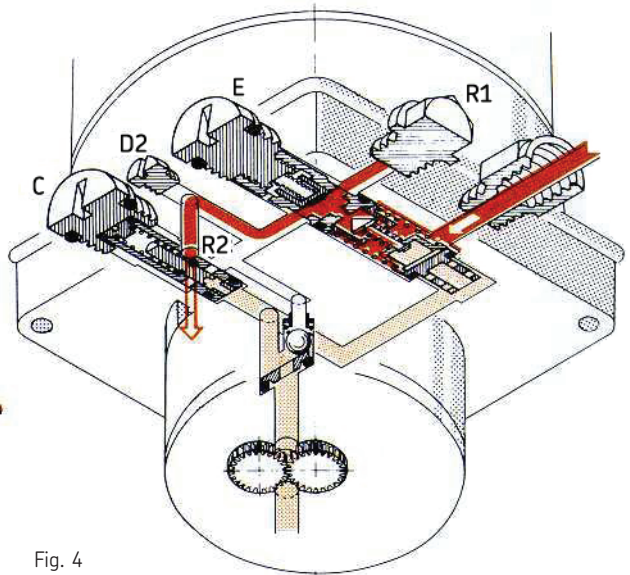


Fig. 4

Please provide voltage and frequency when ordering.

A special sealed pump must be used for horizontal flange-mounting of the unit in a position below the oil level.

For gear pump unit model MFE5 complete with metal or plastic reservoir (3, 6 and 15 liters) see the pages 7–9.

Explanation of hydraulic function

Both (ME5, MFE5) types have the same hydraulic function.

Oil is sucked in at S and flows under pressure through the duct in the direction P. The oil pressure closes valve V and opens valve E3, at the same time closing valve E1 against spring tension. If air is entrained (due to low oil level in the reservoir), valve V remains open and diverts the air or, respectively, the air-oil mixture into the return duct (see bubble (o) marking in direction R1). Valve C allows oil under overpressure to flow out into the return duct (see cross (+) marking).

When the unit stops (interval time), spring-loaded valve E1 opens and valve E3 simultaneously closes. The system pressure at P can now be released through valve E1 – with the exception of a small amount of residual pressure determined by valve E2. This pressure release is required for the piston distributors to function correctly. The pressure relief process is shown in fig. 4.

Explanation of the structural differences

In the case of model ME5, the long screw plug D1 blocks flanged port R2 of the return duct. The oil returning from valves V, C and E1 flows via port R1 through a tube to the separately mounted oil reservoir (see fig. 1 and 2).

In the case of model MFE5, the short screw plug D2 – unlike D1 with model ME5 – leaves flanged port R2 open. A plug closes off external port R1. Flanged port R2 of the return duct drains directly into the reservoir without any connection threads (see fig. 3 and 4).

MFE5 unit variants *

Order No.	Flow rate ²⁾ [l/min]	Max. back pressure ³⁾ [bars]	Design
MFE5-2000	0.5	28	Basic version, NBR, plastic terminal box
MFE5-3041	0.5	28	Basic version, NBR, metal terminal box
MFE5-2000-D	0.5	28	Installed below oil level, NBR, plastic terminal box
MFE5-3000-D	0.5	28	Installed below oil level, NBR, metal terminal box
MFE5-2008	0.5	28	Basic version, FKM (FPM), plastic terminal box
MFE5-2009	0.25	17.5	For light oil as of 5 mm ² /s, NBR
MFE5-2053	0.25	17.5	For light oil as of 5 mm ² /s, FKM
MFE5-4000	0.5	28	UL/CSA-approved, NBR
MFE5-5000	0.5	28	CCC-approved, NBR
MFE5-1001	0.5	28	HAN6ES Harting connector, NBR, Motor 180° turned
MFE5-1088	0.5	28	HAN10ES Harting connector, FKM
MFE5-S67	0.5	28	50/95 weatherproofing, NBR, metal terminal box

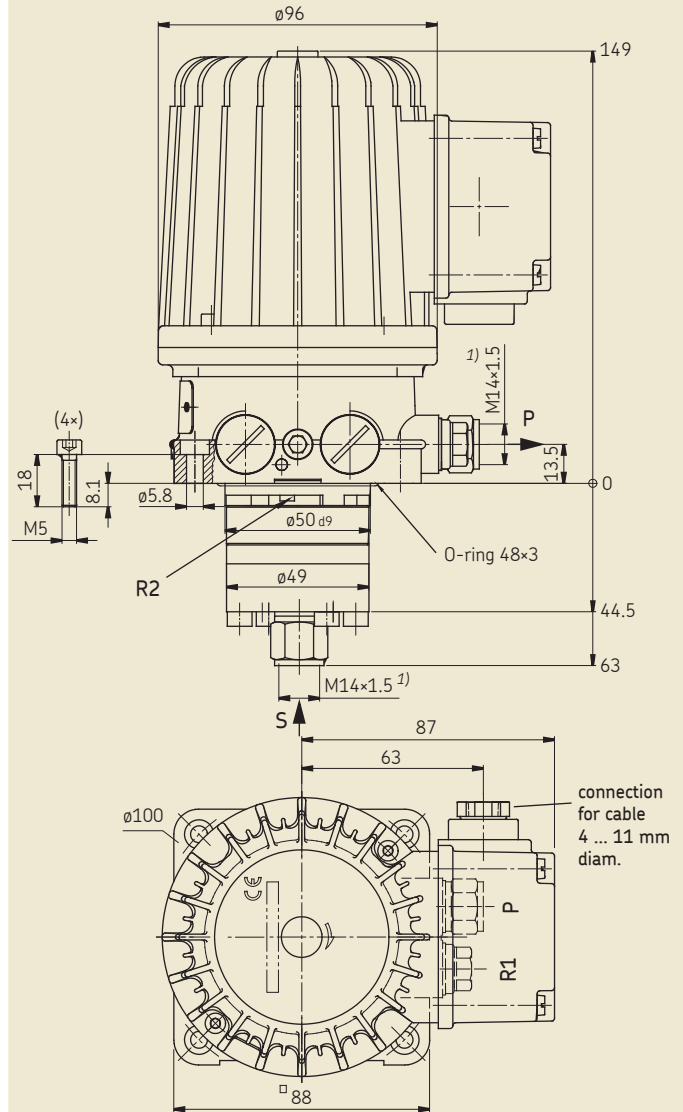
*) The geometrical dimensions of the variants can deviate of the one shown in Fig. 5.

²⁾ Flow rate based on an operating viscosity of 140 mm²/s, at a back pressure of p = 5 bars.

³⁾ The max. back pressure is equivalent to the actual value of the built-in pressure limiting valve. If the units are operated with a single-phase AC supply, only 60% of the indicated pressure is permissible, i.e. a 16-bar pressure limiting valve should be fitted to the system.

The appropriate capacitors for a frequency of 50 and 60 Hz are:
230 V ... 8 µF: order No. 179-340-007
115 V ... 30 µF: order No. 179-340-060

Fig. 5



S = inlet (suction port)
P = outlet (pressure port)
R1 (ME5) = oil return from relief and pressure limiting valve
R2 (MFE5)

¹⁾ Ports tapped for solderless 8 mm diam tube connection.

Technical data of the shown motor

Motor	Three-phase motor	
Mode of operation	S1, 100%	
Insulation class	F	
Rated frequency [Hz]	50	60
Voltage [V] Y ⁴⁾	400	480
Rated current [A]	0.29	0.29
Rated power [kW]	0.075	0.09
Rated speed [rpm]	2700	3200
Rated flow rate [l/min]	0.5	0,6
Operating pressure [bars]	28	
Operating temperature [°C]	+10 to +40	
Medium	20 to 1000 mm ² /s	
Type of enclosure acc. to DIN 50050	IP 54	
Max. suction head [mm]	500	

⁴⁾ See page 6: "Multivoltage motors"

Multi-voltage motors for pump units (assembly M..)

Many export oriented companies have to deal with voltages/frequencies that deviate from those in Germany. To make it easier for them to buy the most common pump units for centralized lubrication systems, we have developed 3 multirange motors that cover a wide range of three-phase voltages and frequencies.

Pump units with or without oil reservoirs are included, provided the hydraulic power data listed in the brochures are not exceeded (limit values).

These pump units are designated as:

M2, MF2, MFE2, M5, MF5, MFE5, FLM12-3, FLMF12-3, M202

Limit values for

0.2 l-units (M..2-Group):	27 bars – 2000 mm ² /s eff.
0.5 l-units (M..5-Group):	27 bars – 1000 mm ² /s eff.
1.2 l-units FLM12-3:	6 bars – 850 mm ² /s eff.
2×0.2 l-units M202:	12 bars – 850 mm ² /s eff.

Our experience shows these units can meet almost every need. That means simplified warehousing for our customers and shorter delivery times, since we always have these 3 types of motors in stock.

Range I

130-130 V / 173-225 V, 50 Hz
120-156 V / 208-270 V, 60 Hz

order code: 199

order code ISO-F: 19E

Range II

207-254 V / 360-440 V, 50 Hz
249-305 V / 432-528 V, 60 Hz

order code: 299

order code ISO-F: 29E

Range III

230-290 V / 398-500 V, 50 Hz
290-346 V / 500-600 V, 60 Hz

order code: 399

order code ISO-F: 39E

A tailor-made motor has to be used instead of a multirange motor in the following cases:

- when the desired operating voltage cannot be covered by one of the three voltage ranges,
- when the operating voltage, with the voltage tolerances to be expected, exceeds a defined voltage benchmark for the range,
- in the case of motors with PTC thermistor sensors,
- for dual-circuit pump unit, e.g. M205
- in the case of motors with UL/CSA version
- for units with a 4-pole motor

Voltage	Order code
230/400 V, 50 Hz	140
230/400 V, 60 Hz	640
240/415 V, 50 Hz	150
240/415 V, 60 Hz	650
255/440 V, 50 Hz	165
255/440 V, 60 Hz	665
265/460 V, 50 Hz	175
265/460 V, 60 Hz	675
265/460 V, 60 Hz, UL	563
265/460 V, 60 Hz, CSA	676
280/480 V, 60 Hz	680
280/480 V, 60 Hz, UL	562
280/480 V, 60 Hz, CSA	681
280/480 V, 60 Hz, UL/CSA	564

MFE5 gear pump unit with 3 or 6 liter metal reservoir

Order No.	Flow rate [l/min]	Reservoir capacity [l]	Reservoir material	Order No. without float switch
MFE5-BW3-2	0.5	3	die-cast aluminum	MFE5-B3-2
MFE5-BW7	0.5	6	sheet steel	MFE5-B7

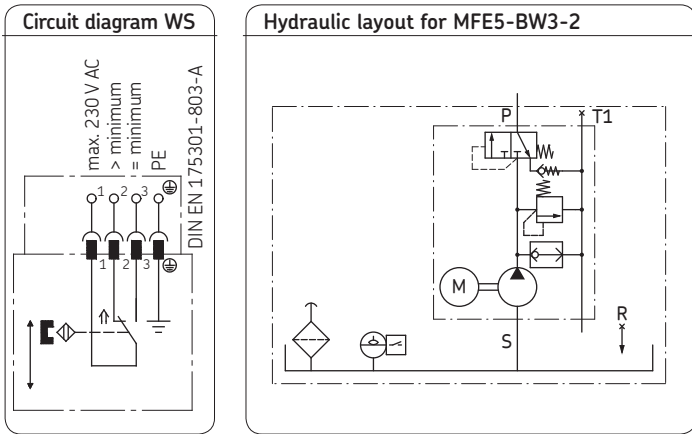
Technical data

Float switch (WS) for monitoring of minimum oil level

- Type of contact 1 changeover
- Max. switching voltage . . . 230 V AC / 230 V DC
- Max. switching current . . . 1.0 A
- Max. switching capacity . . . 60 VA / 40 W ⁴⁾
- Type of enclosure IP 65
- Temperature range -10 °C to +60 °C

⁴⁾ Take appropriate measures to protect contacts when switching inductive loads.

See page 5 for further technical details.



Function – float switch (WS)

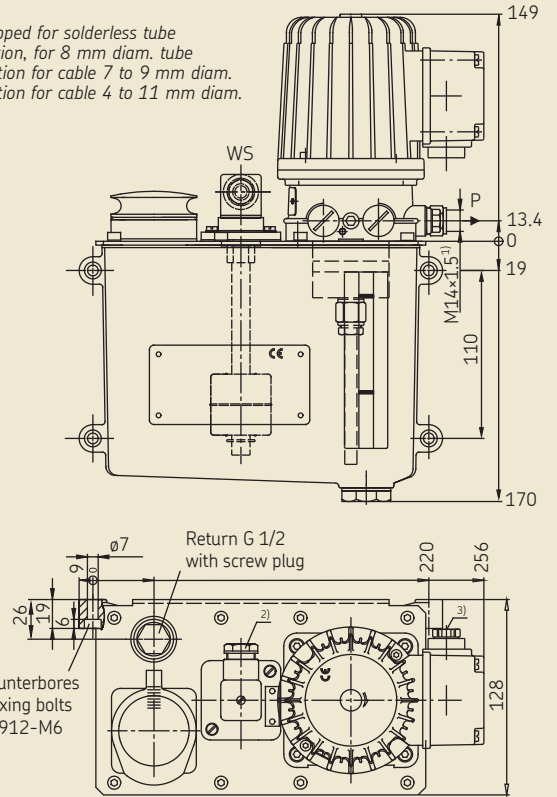
When the oil drops to a minimum level, contact 1–2 opens and contact 1–3 closes.

With plug-type connector that compiles with DIN EN 175301-803-A

Depicted: full reservoir

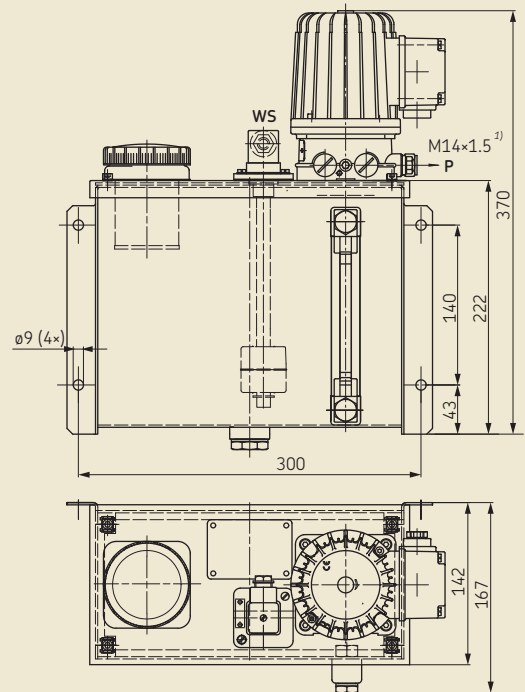
MFE5-BW3-2

- ¹⁾ Port tapped for solderless tube connection, for 8 mm diam. tube
- ²⁾ Connection for cable 7 to 9 mm diam.
- ³⁾ Connection for cable 4 to 11 mm diam.



MFE5-BW7

- ¹⁾ Port tapped for solderless tube connection, for 8 mm diam. tube



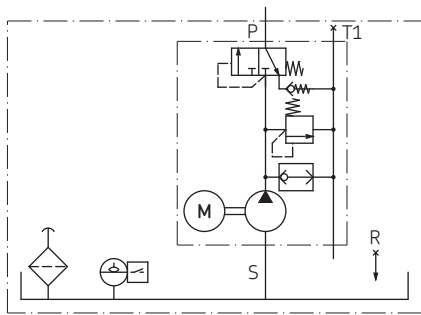
MFE5 gear pump unit with 3 or 6 liter plastic reservoir

Order No.	Flow rate [l/min]	Reservoir capacity [l]	Reservoir material	Order No. without float switch
MFE5-KW3-2	0.5	3	plastic	MFE5-K3-2
MFE5-KW6	0.5	6	plastic	MFE5-K6

See page 5 for further technical details.

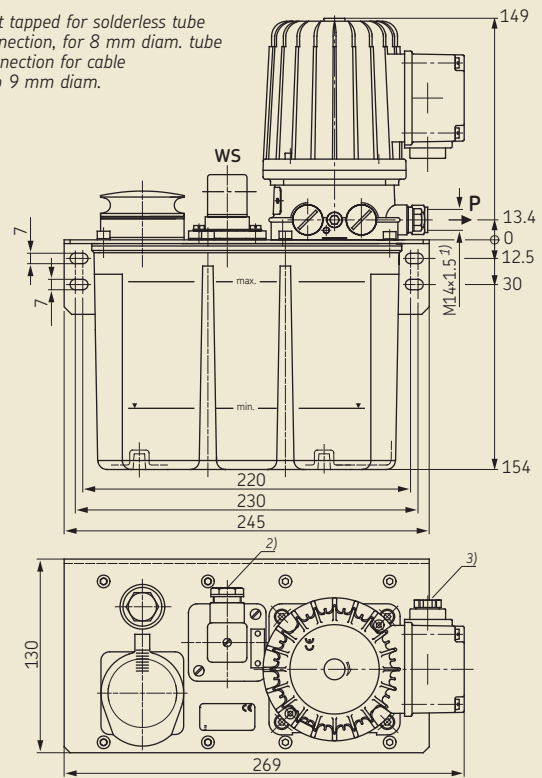
See page 7 for technical data on the float switch.

Hydraulic layout for MFE5-KW3-2



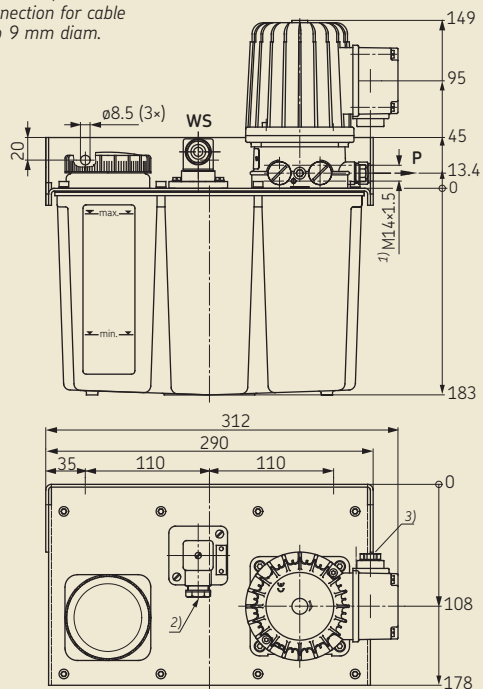
MFE5-KW3-2

- 1) Port tapped for solderless tube connection, for 8 mm diam. tube
- 2) Connection for cable 7 to 9 mm diam.



MFE5-KW6

- 1) Port tapped for solderless tube connection, for 8 mm diam. tube
- 2) Connection for cable 7 to 9 mm diam.



MFE5 gear pump unit with 15 liter sheet steel reservoir

Order No.	Flow rate [l/min]	Reservoir capacity [l]	Reservoir material	Version
MFE5-BW16	0.5	15	sheet steel	foot-mounted reservoir
MFE5-BW15				wall-mounted reservoir

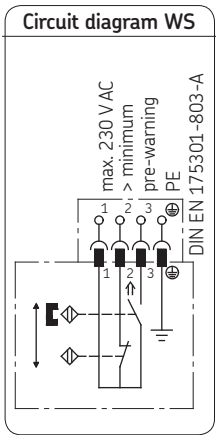
See page 5 for technical data.

Technical data

Float switch (WS) to monitor the critical level of oil with advance warning about 25 mm before the minimum oil level is reached.

Type of contact 2 change-over contacts (reed contacts)
 Max. switching voltage . . . 230 V AC / 230 V DC
 Max. switching current . . . 0.8 A
 Max. switching capacity . . . 60 VA / 40 W ³⁾
 Type of enclosure IP 65
 Temperature range -10 °C to +60 °C

³⁾ Take appropriate measures to protect contacts when switching inductive loads.

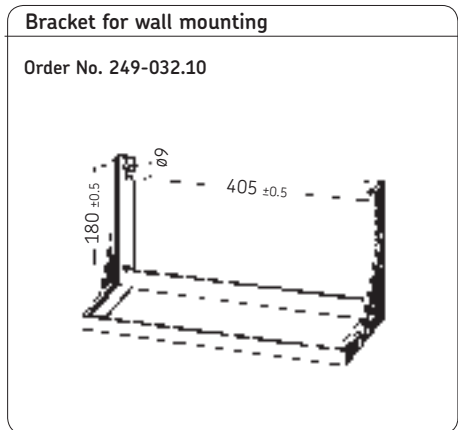
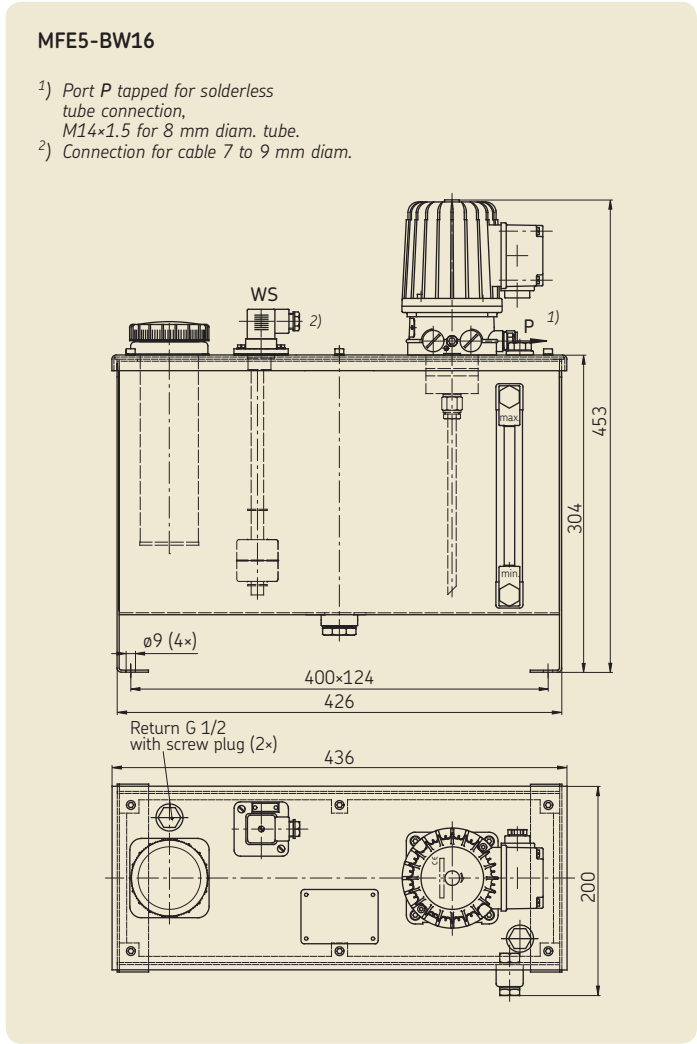
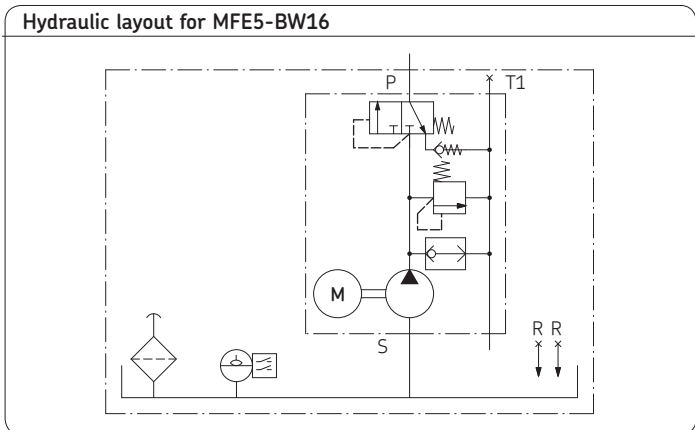


Function – float switch (WS)

About 25 mm before the minimum oil level is reached contact 1–3 closes.
 When the minimum oil level is reached contact 1–2 opens in addition.

With plug-type connector to DIN EN 175301-803-A

Depicted: full reservoir



Order No. 1-1202-EN

Subject to change without notice! (07/2014)

Important product usage information

All products from SKF may be used only for their intended purpose as described in this brochure and in any instructions. If operating instructions are supplied with the products, they must be read and followed.

Not all lubricants are suitable for use in centralized lubrication systems. SKF does offer an inspection service to test customer supplied lubricant to determine if it can be used in a centralized system. SKF lubrication systems or their components are not approved for use with gases, liquefied gases, pressurized gases in solution and fluids with a vapor pressure exceeding normal atmospheric pressure (1013 mbars) by more than 0.5 bar at their maximum permissible temperature.

Hazardous materials of any kind, especially the materials classified as hazardous by European Community Directive EC 67/548/EEC, Article 2, Par. 2, may only be used to fill SKF centralized lubrication systems and components and delivered and/or distributed with the same after consulting with and receiving written approval from SKF.

Further brochures

1-9201-EN Transport of Lubricants in Centralized Lubrication Systems

SKF Lubrication Systems Germany GmbH

Motzener Strasse 35/37 · 12277 Berlin · Germany
PF 970444 · 12704 Berlin · Germany
Tel. +49 (0)30 72002-0 · Fax +49 (0)30 72002-111
www.skf.com/lubrication

This brochure was presented by:

® SKF is a registered trademark of the SKF Group.

© SKF Group 2014

The contents of this publication are the copyright of the publisher and may not be reproduced (even extracts) unless prior written permission is granted. Every care has been taken to ensure the accuracy of the information contained in this publication but no liability can be accepted for any loss or damage whether direct, indirect or consequential arising out of the use of the information contained herein.

