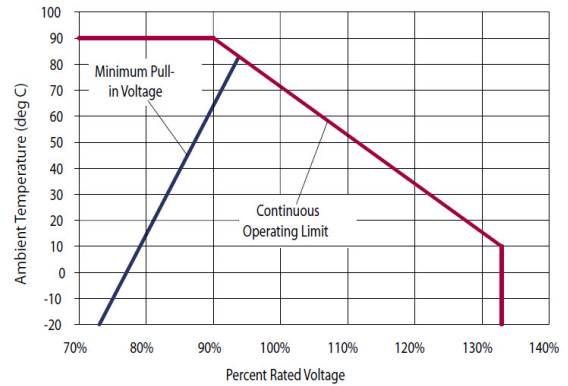


SPECIFICATIONS

- Duty cycle: 100% at 115% of rated voltage at 40°C [104° F]
- Magnet wire insulation: (200° C)
- Ambient temperature range: -20° to 40° C [-4° to 104° F]
- Environmental protection rating: IP65 (DN &FL), IP67 (AJ, AJD), IP69K (DE, DED)
- Input voltage range: 85% to 115% of rated voltage
- Temperature rise at 115% of rated voltage: 130° C [266° F] above ambient temperature
- Weight: 0.37 kg [0.82 lb]
- AC Coils require external rectifier

M19 33 watt coil



CL - Coils
 M19

ELECTRICAL SPECIFICATIONS

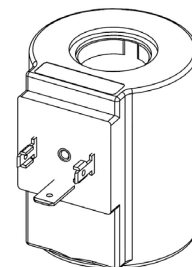
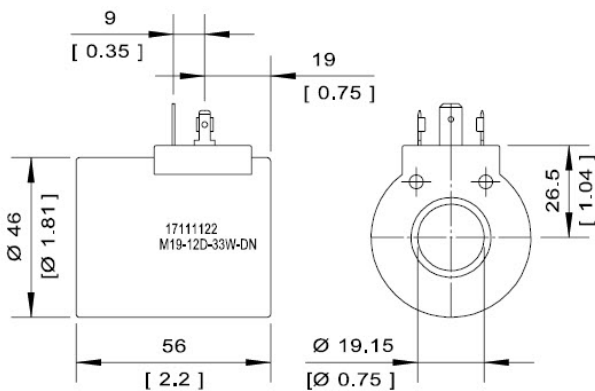
| Voltage | 12 VDC | 24 VDC | 110 VAC | 220 VAC |
|-----------------------------------|--------|--------|---------|---------|
| Resistance (Ohms) @ 20° C [68F] | 4.4 | 17 | 287 | 1190 |
| Current draw (A) at 25° C [68° F] | 2.76 | 1.38 | 0.337 | 0.163 |

TERMINALS

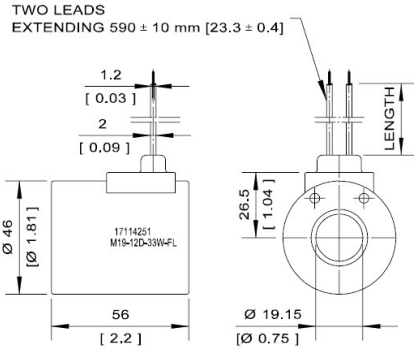
ISO 4400 (DIN 43650)
 Code DN

| Voltage | Power (W) | Part Number |
|---------|-----------|------------------|
| 12VDC | 33 | M19-12D-33W-DN |
| 24VDC | 33 | M19-24D-33W-DN |
| 110VAC* | 33 | M19-110RA-33W-DN |
| 220VAC* | 33 | M19-220RA-33W-DN |

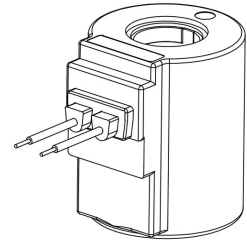
* External rectifier needed



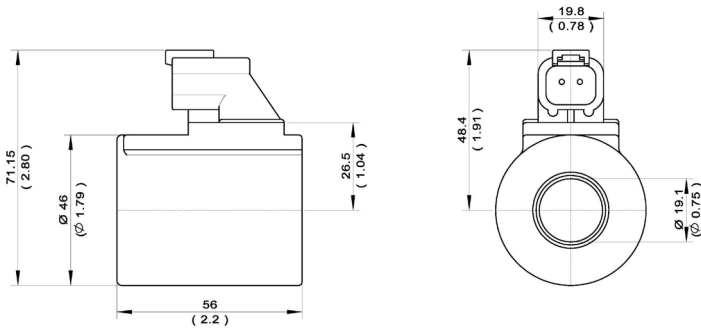
**LEAD WIRES
 CODE FL**



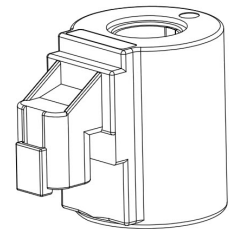
| Voltage | Power (W) | Part Number |
|---------|-----------|----------------|
| 12VDC | 33 | M19-12D-33W-AJ |
| 24VDC | 33 | M19-24D-33W-AJ |



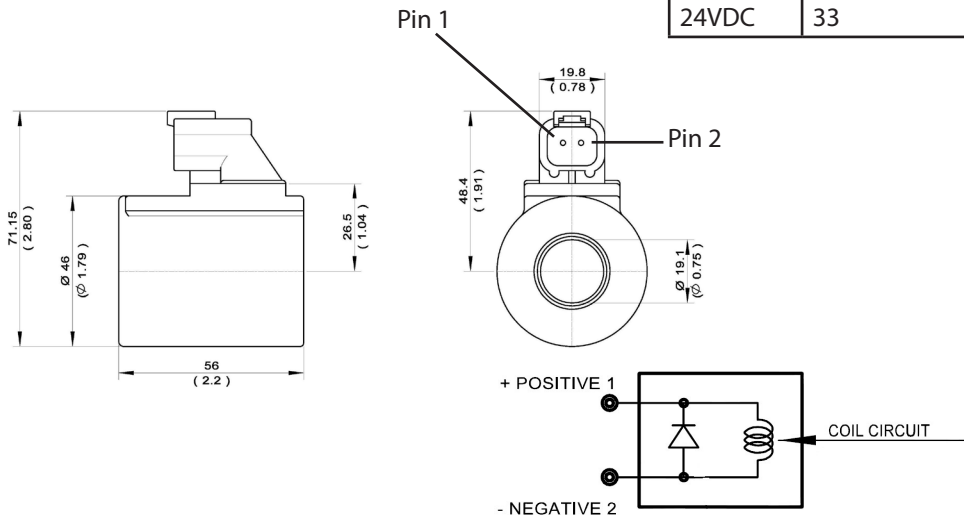
**DEUTSCH
 CODE DE**



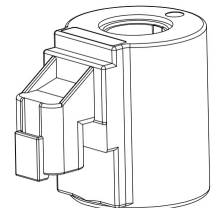
| Voltage (V) | Power (W) | Part Number |
|-------------|-----------|----------------|
| 12VDC | 33 | M19-12D-33W-DE |
| 24VDC | 33 | M19-24D-33W-DE |



**DEUTSCH WITH DIODE
 CODE DED**



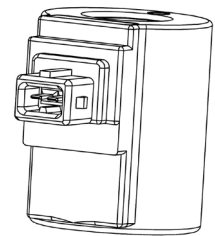
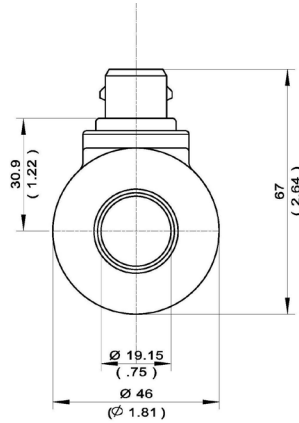
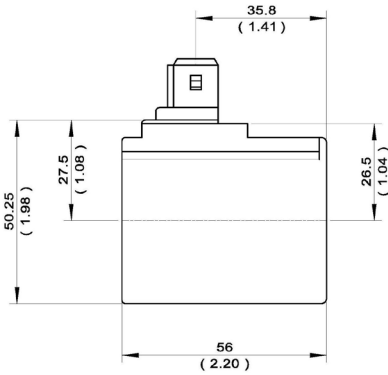
| Voltage (V) | Power (W) | Part Number |
|-------------|-----------|-----------------|
| 12VDC | 33 | M19-12D-33W-DED |
| 24VDC | 33 | M19-24D-33W-DED |



CL - Coils
 M19

**AMP JR.
 CODE AJ**

| Voltage (V) | Power (W) | Part Number |
|-------------|-----------|----------------|
| 12VDC | 33 | M19-12D-33W-AJ |
| 24VDC | 33 | M19-24D-33W-AJ |



CL - Coils
 M19

**AMP JR. WITH DIODE
 CODE AJD**

| Voltage (V) | Power (W) | Part Number |
|-------------|-----------|-----------------|
| 12VDC | 33 | M19-12D-33W-AJD |
| 24VDC | 33 | M19-24D-33W-AJD |

