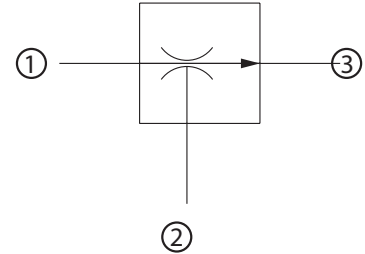


OPERATION

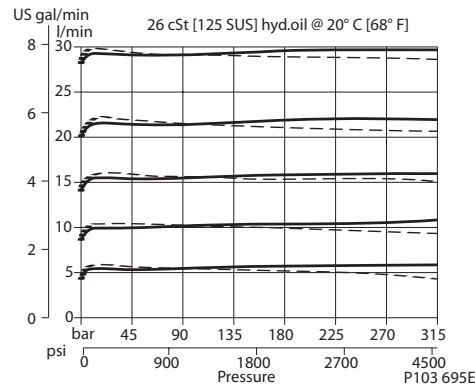
This valve is a fixed, pressure compensated, priority-type flow control.

Schematic



SPECIFICATIONS

Theoretical performance



Specifications

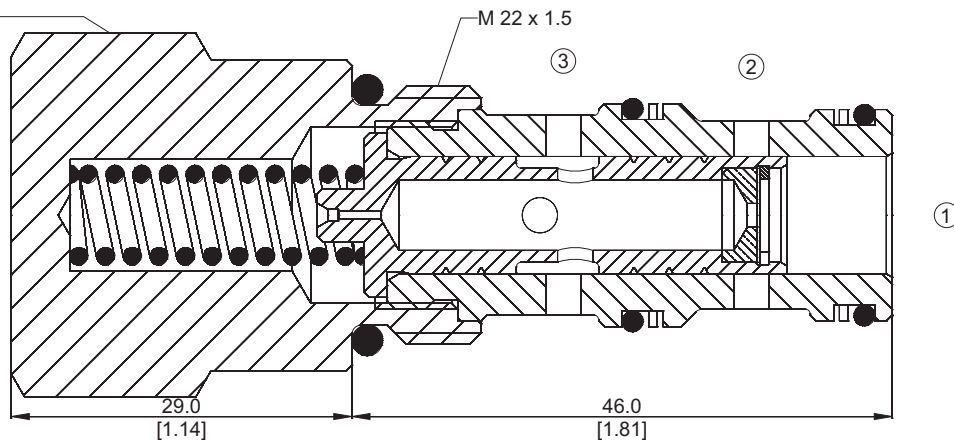
Rated pressure	315 bar [4500 psi]
Max regulated flow	26 l/min [7 US gal/min]
Max inlet flow	50 l/min [13 US gal/min]
Weight	0.19 kg [0.42 lb]
Accuracy ± 10%	2.3-25.5 l/min [0.5-6.8 US gal/min]
Cavity	NCS06/3

DIMENSIONS

Cross-sectional view

mm in

27 mm
 44-50 N·m
 [32-37 lbf·ft]



P103 667

ORDERING INFORMATION

VRF 06 - 1.5 - SE3/8 - V

Orifice size	flow	
	L/min	[US gal/min]
0.75	= 1.5	[0.4]
1.00	= 2.0	[0.53]
1.25	= 3.5	[0.92]
1.50	= 4.5	[1.19]
1.75	= 6	[1.58]
2.00	= 9.0	[2.38]
2.25	= 10	[2.64]
2.50	= 12	[3.30]
2.75	= 15	[3.96]
3.00	= 18	[4.75]
3.25	= 21.5	[5.68]
3.50	= 25	[6.73]

Seals
 V = Viton
 Omit = Buna-N

Seal kit
 230000110
 230000070

Housing and ports
 00 = No Housing
 SE3/8 = AL, 3/8 BSP
 SE1/2 = AL, 1/2 BSP
 SE6S = AL, #6 SAE
 SE8S = AL, #8 SAE
 Other housings available

Housing P/N
 No Housing
 NCS06/3-SE-3/8
 NCS06/3-SE-1/2
 NCS06/3-SE-6S
 NCS06/3-SE-8S

P103 722E