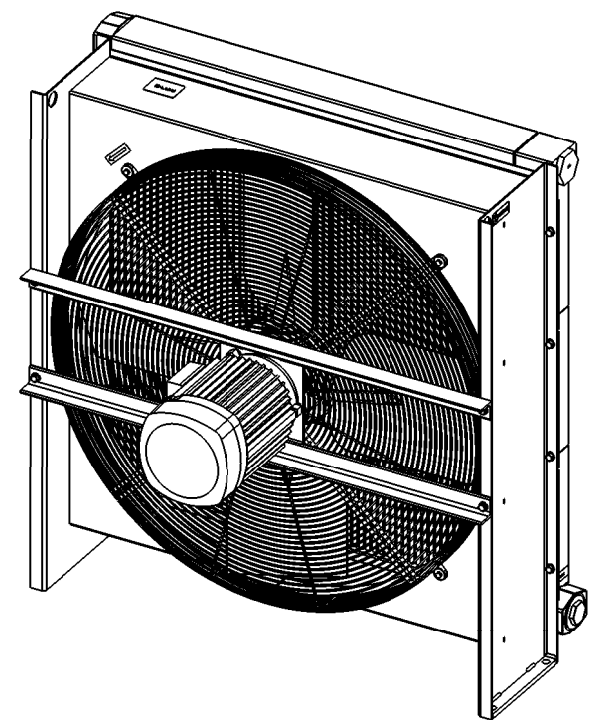
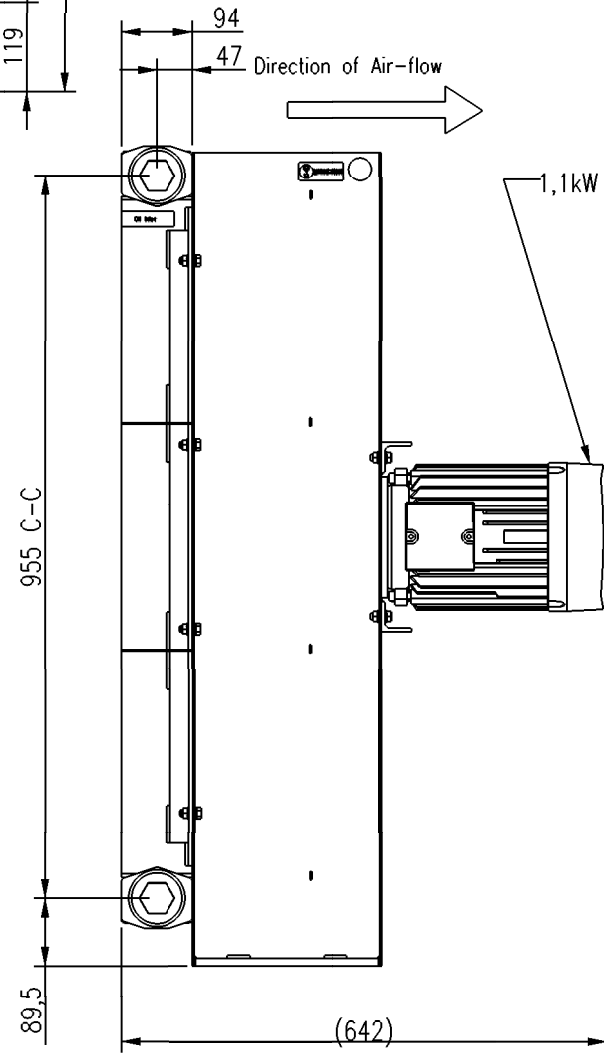
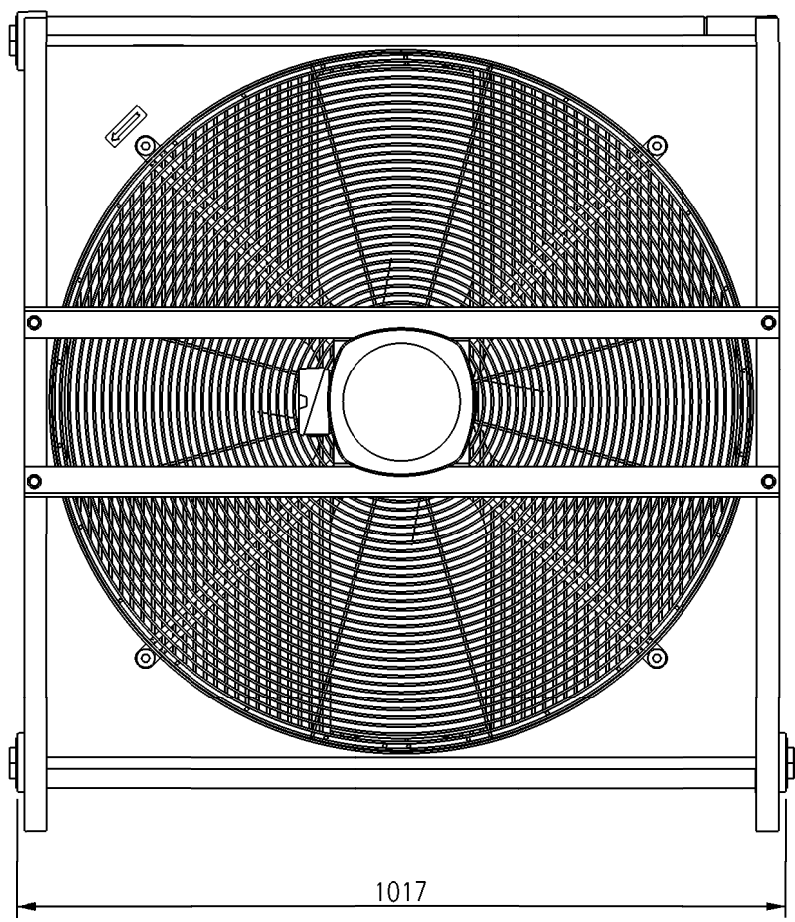
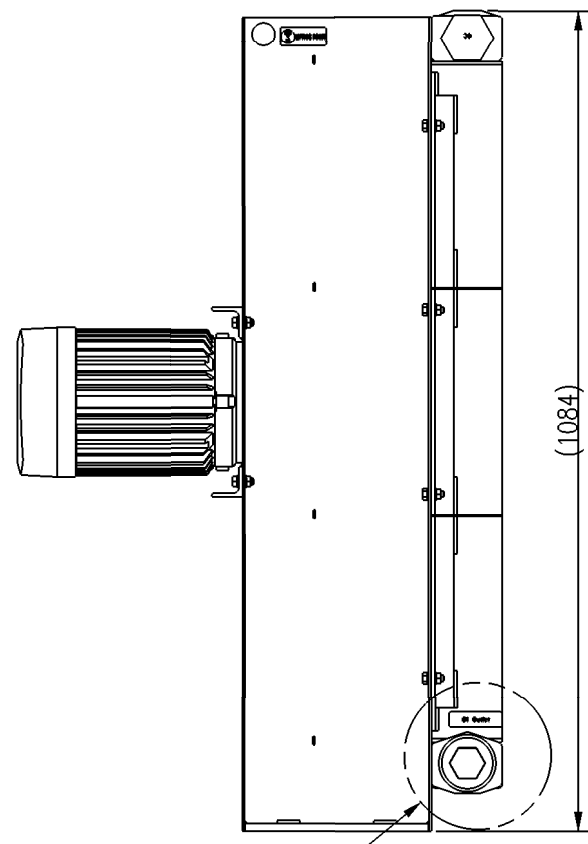
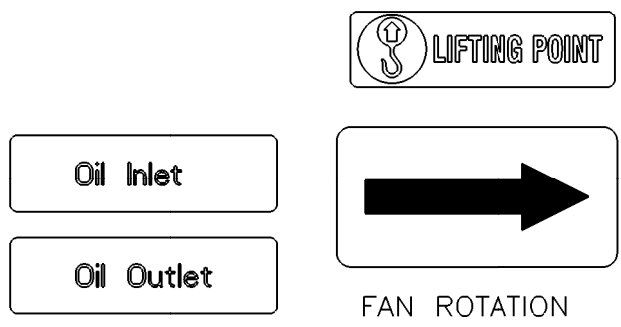


DETAIL X
SCALE 1:4



Product in accordance with the following directives:
PED 97/23/Ec Article 3, part 3

Surface treatment	Mass
Alu Grey, Steel Black -	129 [kg]
Pressure testing	Tolerance class
According to random sampling	ISO 2768-v



Nissens Nissens A/S
TLPH. 45 76 26 26 26
FAX. 45 75 64 62 66

PROD.NO: DATE:
ID.NO: 270148

TEST PRES: (bar)	FUEL: -	OIL: 30	AIR: -	WATER: -
MAX PRES: (bar)	-	20	-	-
MAX TEMP: (°C)	-	125	-	-

Made by Nissens

Revision change			Special Characteristics	
-			Ⓢ	
Revision date	Revised by	Project ID	Status	
-	-	-	In Work	
Creation date	Created by	Customer	Part no.	
11.03.15	KAC	-	270148	
NISSENS A/S DK - 8700 HORSSENS TEL: (+45) 7626 2626 WWW.NISSENS.COM			Description	
Nissens			HP090-1/WI/R3/BSP/AC50/400-8/S	
A3			Scale	
1:10			067126-00	