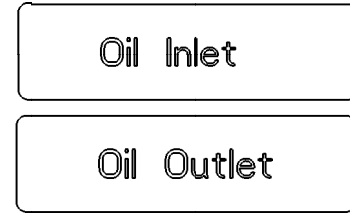
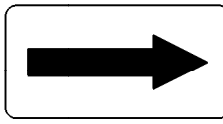
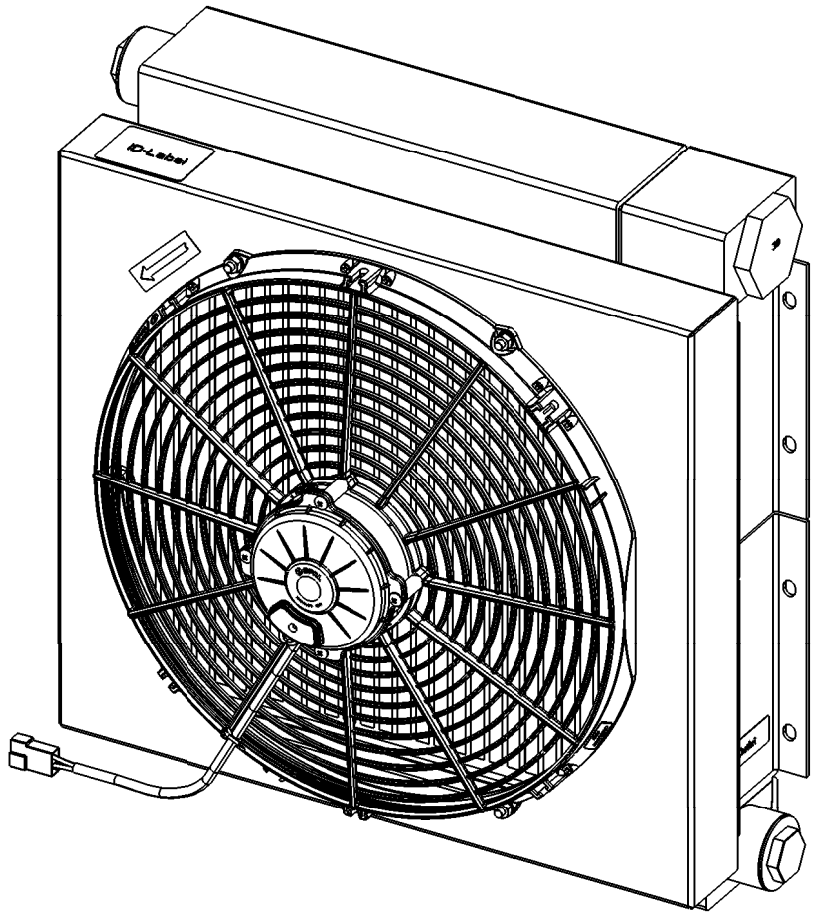


Conector type F AMP p/n 180908  
Male terminals type B AMP p/n 42098-2



**Nissens** Nissens A/S  
TEL. 45 76 26 26 26  
FAX. 45 76 26 26 04

Prod. no.:  DATE:

Customer ID. NO.:

Nissens part no.:

TEST PRES: (bar)	FUEL: -	OIL: 30	AIR: -	WATER: -
MAX PRES: (bar)	-	20	-	-
MIN/MAX TEMP: ( °C)	-	125	-	-

Made by Nissens

Product in accordance with the following directives:  
PED 2014/68/EU, Article 4, Part 3

Surface treatment	Mass
Alu Grey, Steel Black -	23 [kg]
Pressure testing	Tolerance class
According to random sampling	ISO 2768-v

Revision change			Special Characteristics
			Ⓢ
Revision date	Revised by	Project ID	Status
			In Work
Creation date	Created by	Customer	Part no.
15.10.14	KAC		270042
NISSENS A/S DK - 8700 HORSBENS TEL: (+45) 7626 2626 WWW.NISSENS.COM		Description	Drw no.
		HPQ40-1/WL/R3/BSP/DC--/00024/S	065782-00
		Format	Scale
		A3	1:5