

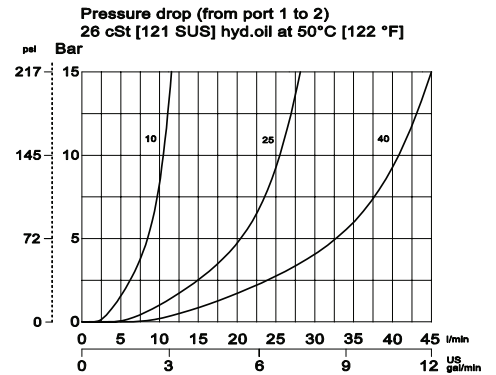
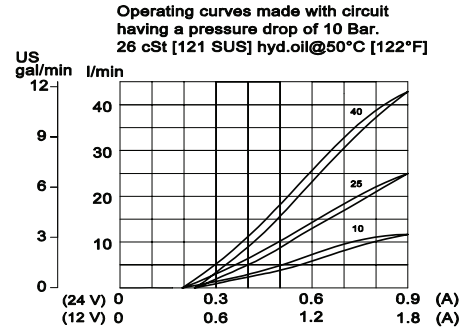
**OPERATION**

This is a normally-closed, direct-acting, spool-type, non-compensated, proportional flow-control. Controlled flow is from port 1 to 2.

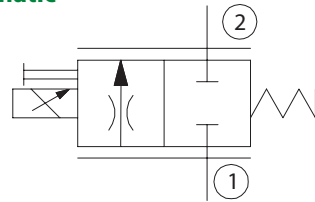
**SPECIFICATIONS**

<b>Rated pressure</b>	260 bar [3770 psi]
<b>Maximum flow at 10 bar [145 psi pressure drop]</b>	PSV10-NC-10: 10 l/min [2.64 US gal/min] PSV10-NC-25: 25 l/min [6.6 US gal/min] PSV10-NC-40: 40 l/min [10.6 US gal/min]
<b>Leakage</b>	420 cm <sup>3</sup> /min [25.6 in <sup>3</sup> /min] @ rated pressure
<b>Weight</b>	0.51 kg [1.12 lb]
<b>Hysteresis</b>	5% maximum
<b>Threshold current</b>	0.4 A (12 VDC coil) 0.2 A (24 VDC coil)
<b>Maximum control current</b>	1.8 A (12 VDC coil) 0.9 A (24 VDC coil)
<b>Pressure differential</b>	0 bar [0 psi] maximum
<b>Cavity</b>	SDC10-2
<b>Standard Coil</b>	M19P 22 Watt

**Theoretical performance**

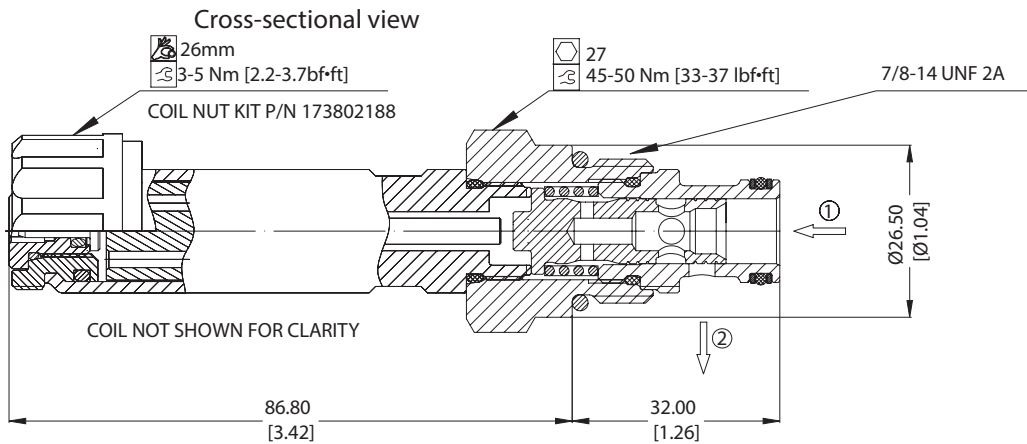


**Schematic**



**DIMENSIONS**

mm in



**ORDERING INFORMATION**

PSV10 - NC - 40 - 12D - DE - SPS - B - 00

Proportional Flow Control Valve, Non-Compensated, Normally Closed, 10 Size Cavity

Code	Max regulated flow
10	10 l/m
25	25 l/m
40	40 l/m

Code	Coil Voltage
00	No Coil
12D	12V DC
24D	24 V DC

Code	Coil Termination
00	No Coil
AJ	Amp Junior
DE	Deutsch
DN	DIN 43650

Code	Seal	Seal Kit
B	Buna-N	35400401
V	Viton	35400341

Code*	Manual Override
Omit	Push Pin (Standard)
SPS	Screw Style (Push-Type Valve)

Body & Ports	Body Nomenclature
00 = No housing	No Body
6S = AI, #8 SAE	CP10-2-6S
8S = AI, #8 SAE	CP10-2-8S
DG3B = AI, 3/8 BSP	SDC10-2-DG3B
DG4B = AI, 1/2 BSP	SDC10-2-DG4B
* Other housings available	

\* PB (Push-Button) available upon request

Proportional Valves  
PSV10-NC